

- NOTES:
- 1.MATERIAL:
HOUSING:THALOGEN FREE PLASTIC, HIGH TEMP.,
TERMINAL:COPPER ALLOY
FITTING NAIL:COPPER ALLOY
 - 2.PLS SEE ACES PLATING CODE(PIN LEGEND)
 - 3.SPEC. PLS. REFER TO PS-50124-XXXX-XXX
 - 4.PACKAGE PLS.REFER TO 88024-XXXX-TRP

P/N LEGEND
50117-XXX X X-XXX

XXX	MATERIAL&COLOR	Halogen Free
001	HF PLASTIC&BLACK	HF

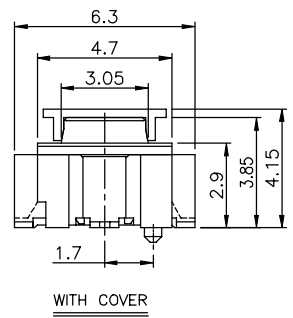
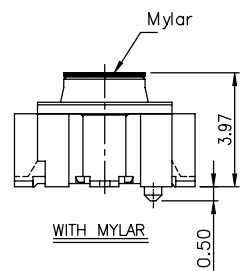
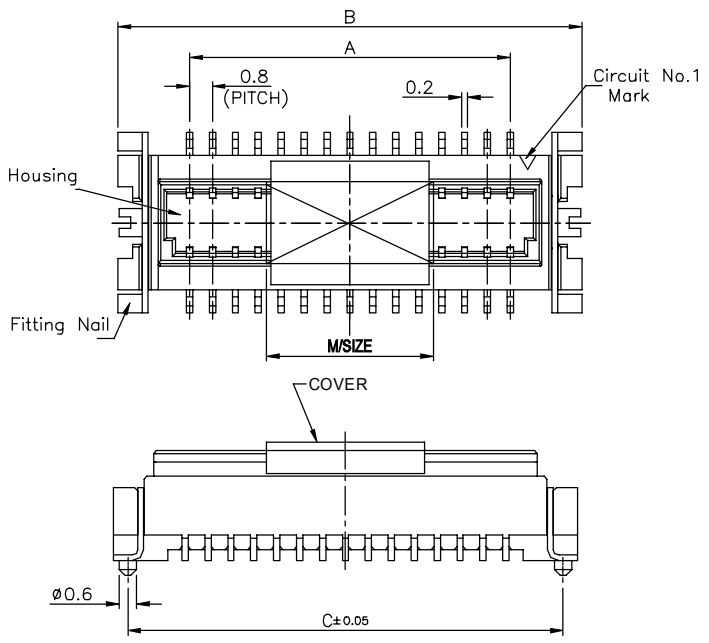
NO OF CKT

PACKING

- 0:TAPE REEL
- 1:TUBE PACKAGE
- 4:TAPE REEL WITH MALAR
- 5:TUBE WITH MALAR
- 7:TAPE REEL WIGH COVER
- 8:TUBE WITH COVER

PLATING

- 1:G/F OVER ALL (LEAD FREE)
- N:MATT TIN(LEAD FREE)



CKT	Dim A	Dim B	Dim C	M/Size
10	3.2	8.2	7.2	3
12	4.0	9.0	8.0	
14	4.8	9.8	8.8	
16	5.6	10.6	9.6	6
24	8.8	13.8	12.8	
30	11.2	16.2	15.2	
40	15.2	20.2	19.2	10
50	19.2	24.2	23.2	
80	31.2	36.2	35.2	

QUALITY SYMBOLS MAJOR Ⓢ CRITICAL Ⓢ GENERAL TOLERANCES (UNLESS SPECIFIED) X. ±0.5 .X ±0.25 .XX ±0.15 .XXX ±0.1 ANGLES ±2°	DRAWN BY Huang,Shun Sen 20/05/04	DATE 20/05/04	
	CHECKED BY Lu,ling Quan 20/05/04	DATE 20/05/04	
	APPROVED BY hsieh,fu yu 20/05/04	DATE 20/05/04	
	UNITS mm		SIZE A4
	SCALE 4 : 1	SHEET NO. 1 OF 1	REV B
			RFQ NO. NA
			DWG NO. 50117-XXXXX-XXX