

RECOMMENDED PCB LAYOUT  
GENERAL TOLERANCE ±0.05

- NOTES:
- MATERIAL:
    - HOUSING: THERMOPLASTIC, HIGH TEMP., UL94V-0;
    - CONTACT: COPPER ALLOY
  - FINISH:
    - CONTACT: GOLD FLASH OVER ALL 50u" MIN. NICKEL UNDERPLATING OVERALL.
  - IR REFLOW CAPABLE TO 260°C PER ACES SPEC.
  - SPEC. PLS. REFER TO PS-50037-xxxxx-xxx
  - PACKAGE PLS. REFER TO PART NUMBER
  - PART NUMBER

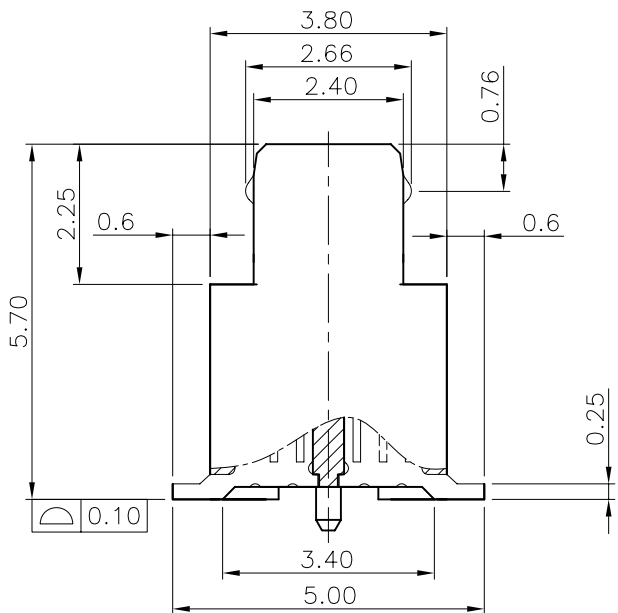
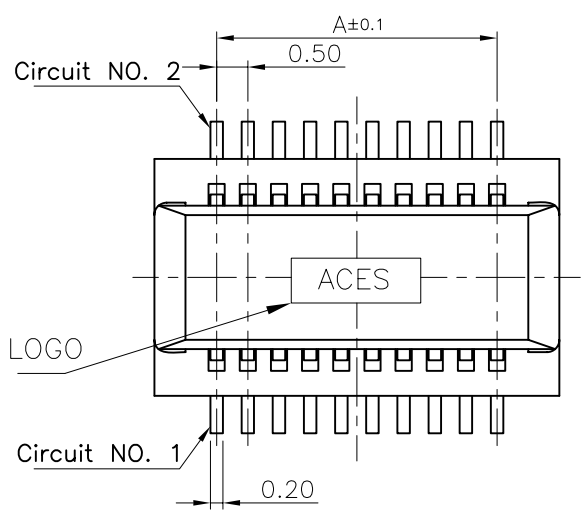
50036-XXX X X-XXX

NO OF CKT

XXX	LOGO	COLOR	HF	PACKING
001	ACES	BLACK	YES	88166-XXXXX-TRP
002	N/A	BLACK	YES	88166-XXXXX-05-TRP

PLATING  
1: GOLD FLASH OVER ALL

PACKING  
0:TAPE&REEL



CKT	Dim A	Dim B	Dim C
10	2.0	4.0	3.2
16	3.5	5.5	4.7
18	4.0	6.0	5.2
20	4.5	6.5	5.7
26	6.0	8.0	7.2
30	7.0	9.0	8.2
34	8.0	10.0	9.2
36	8.5	10.5	9.7
40	9.5	11.5	10.7
50	12.0	14.0	13.2
60	14.5	16.5	15.7
70	17.0	19.0	18.2
80	19.5	21.5	20.7
100	24.5	26.5	25.7
120	29.5	31.5	30.7
160	39.5	41.5	40.7
200	49.5	51.5	50.7

QUALITY SYMBOLS MAJOR Ⓞ CRITICAL Ⓢ	DRAWN BY XIUJIN	DATE 18/02/08		
GENERAL TOLERANCES (UNLESS SPECIFIED)	CHECKED BY BRAVE	DATE 18/02/08		
X ±0.5 .X ±0.25 .XX ±0.15 .XXX ±0.10 ANGLES ±2°	APPROVED BY BRAVE	DATE 18/02/08	UNITS mm	SIZE A4
			SCALE 2:1	DWG NO. 50036-XXXXX-XXX
			SHEET NO. 1 OF 1	REV B
				PART NO. SEE NOTES