

RECOMMENDED PCB LAYOUT  
GENERAL TOLERANCE ±0.05

NOTES:

1.MATERIAL:

HOUSING:HIGH TEMP THERMOPLASTIC,UL94V-0  
TERMINAL:COPPER ALLOY  
PLATING:50~100u" NICKEL UNDERPLATING OVER ALL GOLD FLASH PLATED  
FITTING NAIL:COPPER ALLOY  
PLATING:50~100u" NICKEL UNDERPLATING OVER ALL GOLD FLASH PLATED

2.THE SPEC PLS REFER TO PS-50150-XXXX-XXX  
3.THE PACK PLS REFER TO 88396-XXXX-XX-TRP  
4.PART NUMBER

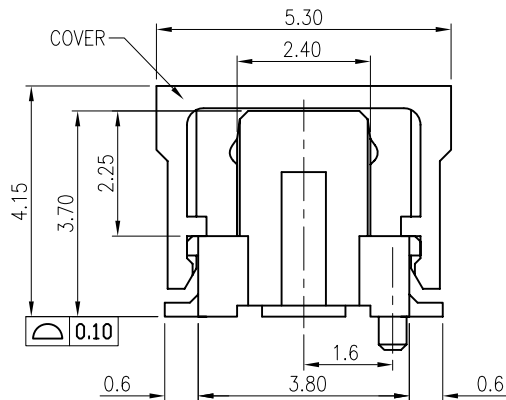
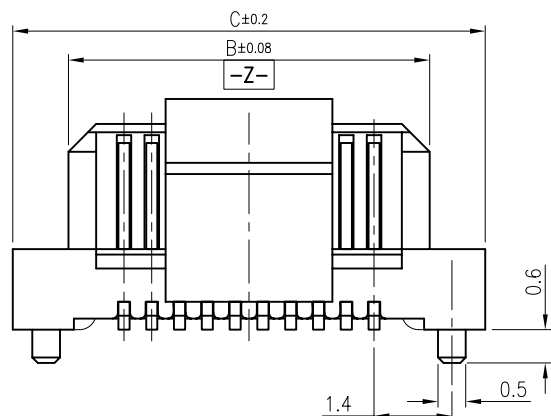
50035-XXX X X-XXX

XXX	Housing Color	Halogen Free
001	Black	HF

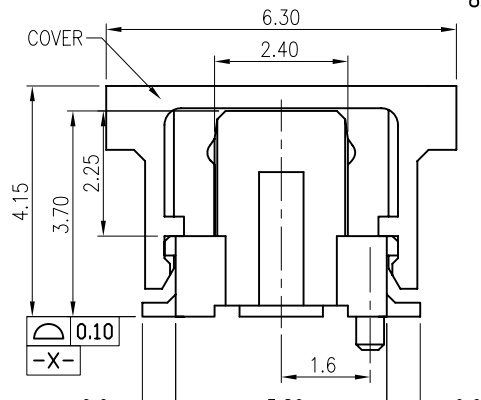
NO OF CKT

PLATING  
1:GOLD FLASH PLATED

PACKING  
0:TAPE & REEL.  
1:TUBE.  
7:TAPE & REEL WITH COVER.  
8:TUBE WITH COVER.

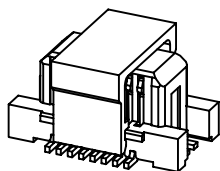


(WITH COVER 50034-000Cxxx-001)

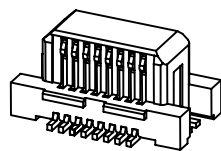


(WITH COVER 50034-000Cxxx-002)

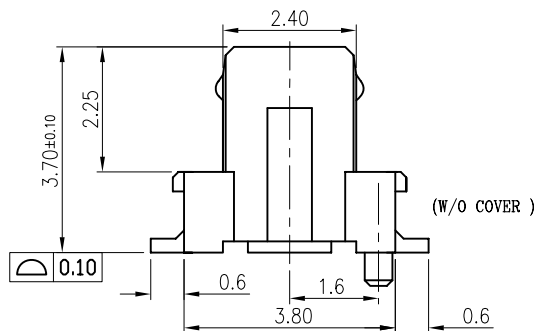
CKT	Dim A	Dim B	Dim C	Dim E
16	3.5	5.5	7.5	3.0
20	4.5	6.5	8.5	3.0
30	7.0	9.0	11.0	6.3
40	9.5	11.5	13.5	6.3
50	12.0	14.0	16.0	6.3
60	14.5	16.5	18.5	6.3
70	17.0	19.0	21.0	6.3
80	19.5	21.5	23.5	6.3
100	24.5	26.5	28.5	6.3
120	29.5	31.5	33.5	6.3
160	39.5	41.5	43.5	6.3
180	44.5	46.5	48.5	6.3
200	49.5	51.5	53.5	6.3



WITH COVER.



WITHOUT COVER.



(W/O COVER)

一般公差  
TOLERANCES  
X ±0.5 XX ±0.15  
X ±0.25 XXX ±0.1  
ANGLES ±2°

檢驗尺寸標示  
SYMBOLS ⊕ ⊙ INDICATE CLASSIFICATION DIMENSION

⊕ MARK IS CRITICAL DIM.  
⊙ MARK IS MAJOR DIM.

表面處理 (FINISH)

宏致電子股份有限公司  
Aces Electronics Co.,Ltd.

品名 (TITLE)  
0.5mm BTB D/R PLUG  
SMT S/T TYPE

圖號 (DWG NO.)  
50035-XXXX-XXX-aces

比例 (SCALE) 8:1  
單位 (UNITS) mm

製圖 (DR) 13/7/16 FENGXIAO  
審核 (CHKD) CARL

核准 (APPD) JASON

張數 (SHEET) 1 OF 1  
SIZE A4  
REV B