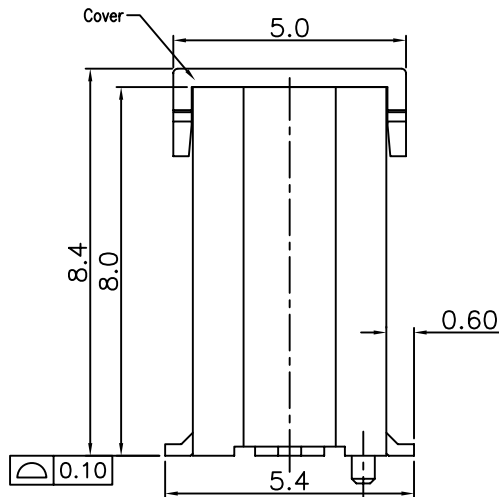
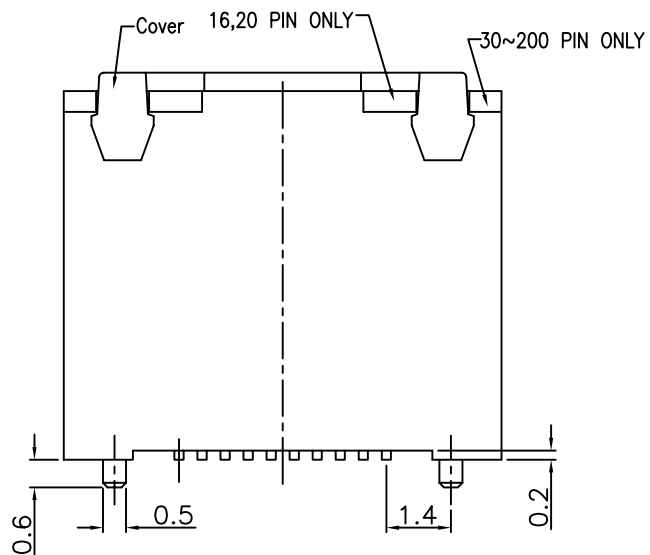


RECOMMENDED PCB LAYOUT  
GENERAL TOLERANCE ±0.05



NOTES:

1. MATERIAL:
  - 1.1 HOUSING: THERMOPLASTIC, HIGH TEMP., UL94V-0;
  - 1.2 CONTACT: COPPER ALLOY
  - 1.3 FITTING NAIL: COPPER ALLOY
2. FINISH:
  - 2.1 CONTACT: 50u"MIN NICKEL UNDERPLATING OVERALL. GOLD FLASH PLATING
  - 2.2 FITTING NAIL: 50u"MIN NICKEL UNDERPLATING OVERALL. GOLD FLASH PLATING
3. REFLOW SOLDER CAPABLE TO 260°C PER ACES SPEC.
4. SPEC. PLS. REFER TO PS-50028-XXXXX-XXX
5. PACKAGE PLS. REFER TO 88386-XXXX-TRP
6. PART NUMBER 50028-XXX X X-XXX

No Of CKT

- PACKING
- 7:TAPE & REEL WITH COVER
  - 8:TUBE WITH COVER

XXX	Housing Color	Halogen Free
001	Black	<b>HF</b>

PLATING  
1:GOLD FLASH

CKT	DIM A	DIM B	DIM C
16	3.5	5.5	8.5
20	4.5	6.5	9.5
30	7.0	9.0	12.0
40	9.5	11.5	14.5
50	12.0	14.0	17.0
60	14.5	16.5	19.5
70	17.0	19.0	22.0
80	19.5	21.5	24.5
100	24.5	26.5	29.5
120	29.5	31.5	34.5
160	39.5	41.5	44.5
180	44.5	46.5	49.5
200	49.5	51.5	54.5

一般公差 TOLERANCES X ±0.5    .XX ±0.15 .X ±0.25    .XXX ±0.1 ANGLES ±2°		<b>宏致電子股份有限公司</b> Aces Electronic Co.,Ltd.	
檢驗尺寸標示 SYMBOLS (●) INDICATE CLASSIFICATION DIMENSION (⊕) MARK IS CRITICAL DIM. (⊙) MARK IS MAJOR DIM.	品名 (TITLE) <b>0.5mm BTB D/R CONN.</b> <b>SMT S/T TYPE(WITH COVER)</b> 圖號 (DWG.NO) <b>50028-XXXXX-XXX</b>	製圖 (DR) <b>12/07/03</b> 許紅星 審核 (CHKD) <b>CARL</b> 核准 (APPD) <b>Jason.C</b>	張數 (SHEET) 1 OF 1 SIZE A4 REV A
表面處理 (FINISH)	比例 (SCALE) 5:1	單位 (UNITS) mm	