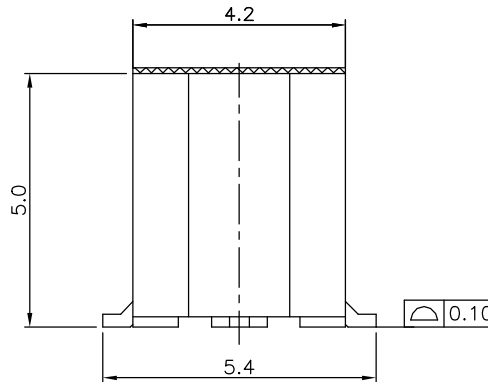
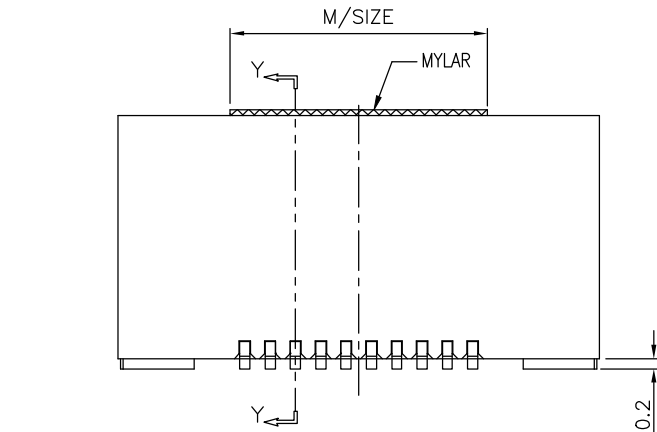


RECOMMENDED PCB LAYOUT
GENERAL TOLERANCE ± 0.05



NOTES:

- MATERIAL:
 - HOUSING: THERMOPLASTIC, HIGH TEMP., UL94V-0;
 - CONTACTS: COPPER ALLOY.
 - FITTING NAIL: COPPER ALLOY.
- FINISH: PER ACES P/N PLATING CODE
- REFLOW SOLDER CAPABLE TO 260°C PER ACES SPEC.
- SPEC. PLS. REFER TO PS-50021-xxxx-xxx
- PACK. PLS. REFER TO 88081-xxxx-TRP
- PART NUMBER

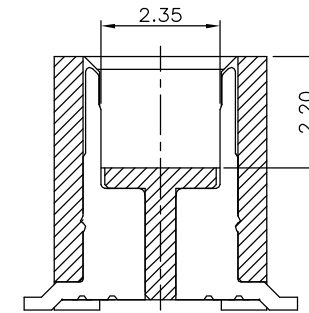
50021-XXX X X-XXX

XXX	Housing Color	Halogen Free	Housing Material
001	Black	HF	HTN
003	Black	HF	LCP

No Of CKT

PLATING
1.GOLD FLASH OVER ALL

PACKING
0:TAPE&REEL
1:TUBE
4:TAPE&REEL With Mylar



Part No.	CKT	DIM A	DIM B	DIM C	M/SIZE
88081-16xx	16	3.50	5.50	8.50	6.00
88081-20xx	20	4.50	6.50	9.50	6.00
88081-30xx	30	7.00	9.00	12.00	6.00
88081-40xx	40	9.50	11.50	14.50	10.00
88081-50xx	50	12.00	14.00	17.00	10.00
88081-60xx	60	14.50	16.50	19.50	15.00
88081-70xx	70	17.00	19.00	22.00	15.00
88081-80xx	80	19.50	21.50	24.50	15.00
88081-1Axx	100	24.50	26.50	29.50	15.00
88081-1Cxx	120	29.50	31.50	34.50	15.00
88081-1Gxx	160	39.50	41.50	44.50	15.00

QUALITY SYMBOLS MAJOR Ⓢ CRITICAL Ⓢ GENERAL TOLERANCES (UNLESS SPECIFIED) X. ± 0.5 X. ± 0.25 .XX ± 0.15 .XXX ± 0.1 ANGLES $\pm 2^\circ$	DRAWN BY Lei, shan jun DATE 20/06/09	
	CHECKED BY Lu, Jing Quan DATE 20/06/09	
APPROVED BY hsieh, fu yu DATE 20/06/09	UNITS mm	SIZE A4
SCALE 1:1		RFG. NO. N/A
SHEET NO. 1 OF 1	REV C	DWG. NO. 50021-XXXXX-XXX