



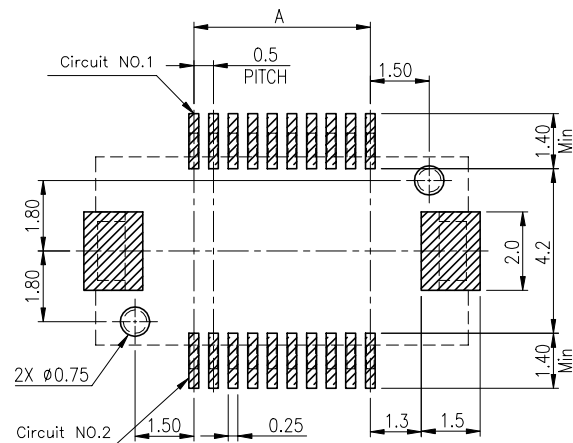
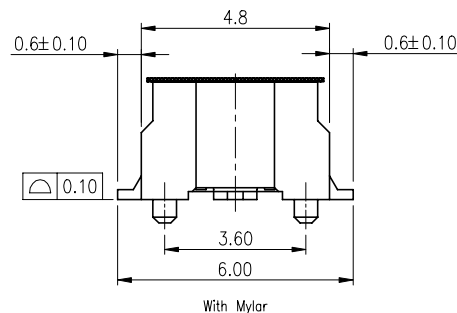
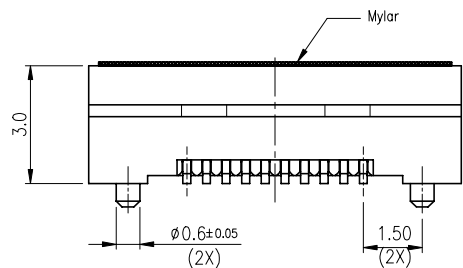
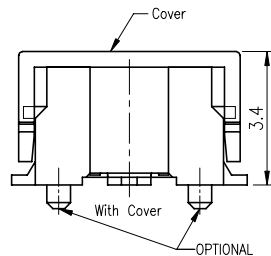
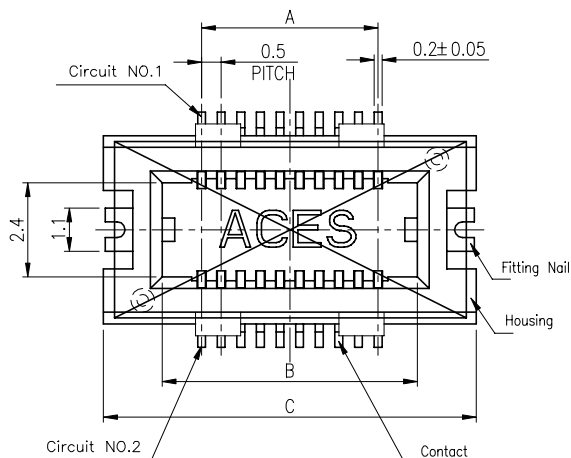
NOTES:

1. MATERIAL:
 - 1.1 HOUSING: NYLON HTN, HIGH TEMP., UL94V-0;
 - 1.2 CONTACT: PHOSPHOR BRONZE
 - 1.3 FITTING NAIL: BRASS
2. FINISH:
 - 2.1 CONTACT: PER ACES P/N PLATING CODE.
 - 2.2 FITTING NAIL: PER ACES P/N PLATING CODE.
3. REFLOW SOLDER CAPABLE TO 260°C PER ACES SPEC.
4. SPEC. PLS. REFER TO PS-50019-xxxx-xxx
5. PACKAGE PLS. REFER TO TABLE
6. PART NUMBER

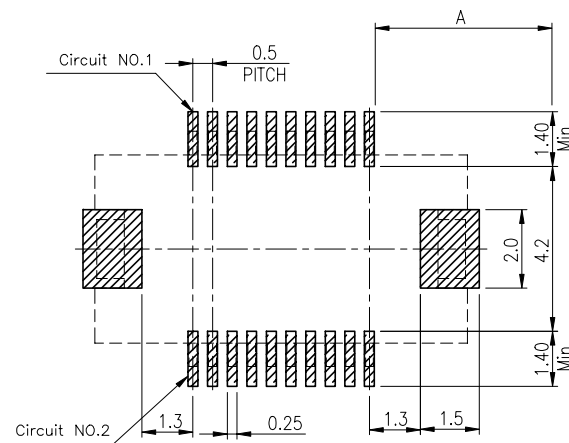
50019-XXX X X-XXX

NO OF CKT	XXX	Housing Color	Polarization	Packing	Cover
	010	Black	With Boss	88079-xxxxA-TRP	50019-000Cxx-001

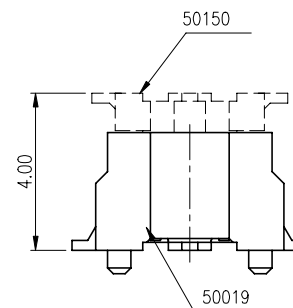
- PLATING
 1: GOLD FLASH OVER ALL
 N: MAT. TIN
 D: 30u GOLD ON CONTACT
- PACKING
 0: TAPE REEL
 1: TUBE PACKAGE
 4: TAPE REEL WITH MYLAR
 5: TUBE PACKAGE WITH MYLAR
 7: TAPE REEL WITH COVER
 8: TUBE PACKAGE WITH COVER



RECOMMENDED PCB LAYOUT (WITH BOSS)
 GENERAL TOLERANCE ±0.05



RECOMMENDED PCB LAYOUT (WITHOUT BOSS)
 GENERAL TOLERANCE ±0.05



CKT	Dim A	Dim B	Dim C	MYLAR
10	2.0	4.0	7.0	W3T12-88079
14	3.0	5.0	8.0	W6T12-88079
16	3.5	5.5	8.5	W6T12-88079
20	4.5	6.5	9.5	W6T12-88079
24	5.5	7.5	10.5	W6T12-88079
26	6.0	8.0	11.0	W6T12-88079
30	7.0	9.0	12.0	W6T12-88079
40	9.5	11.5	14.5	WAT12-88079
50	12.0	14.0	17.0	WAT12-88079
60	14.5	16.5	19.5	WFT12-88079
70	17.0	19.0	22.0	WFT12-88079
80	19.5	21.5	24.5	WFT12-88079
100	24.5	26.5	29.5	WFT12-88079
120	29.5	31.5	34.5	WFT12-88079

QUALITY SYMBOLS MAJOR Ⓜ CRITICAL Ⓢ GENERAL TOLERANCES (UNLESS SPECIFIED) X: ±0.5 XX: ±0.25 .XX: ±0.15 .XXX: ±0.1 ANGLES ±2°	DRAWN BY Rong, L J Ping CHECKED BY Lu, Jing Quan APPROVED BY hsieh, fu yu	DATE 22/08/30 DATE 22/08/30 DATE 22/08/30	ACES ELECTRONICS TITLE 0.5mm BTB PLUG SMT D/R S/T TYPE SIZE A4 SCALE 5:1 REV A RFQ NO. N/A DWG NO. 50019-XXXXX-010
	UNITS mm	SHEET NO. 1 OF 1	
	RFG NO.	DWG NO.	
	50019-XXXXX-010		