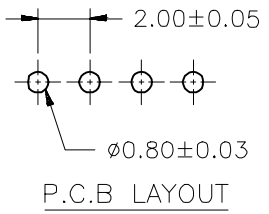
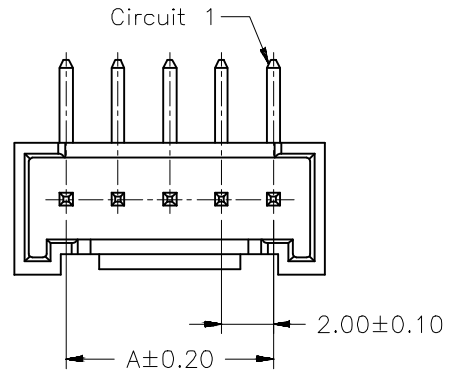


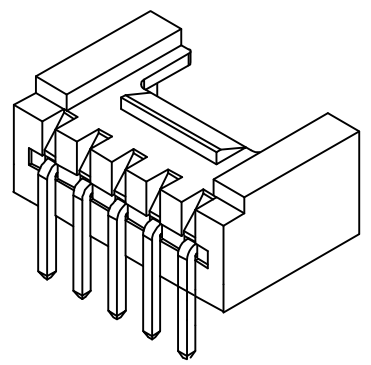
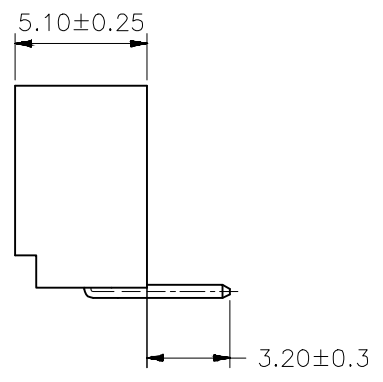
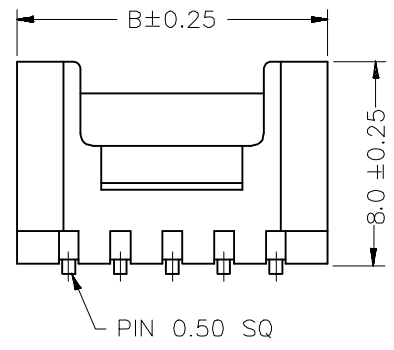
PROPRIETARY INFORMATION  
COMPANY CONFIDENTIAL

REV	ECN. NO.	DESCRIPTION	ENG	DATE
A		INITIAL	Hill	11/24/21'



**SPECIFICATIONS**  
 Current Rating: 3A AC,DC  
 Voltage Rating: 250V AC,DC  
 Temperature Range: -25°C ~ +85°C  
 Contact Resistance: 30mΩ Max  
 Insulation Resistance: 1000MΩ Min  
 Withstanding Voltage: 1000V AC/minute  
 321-10450-XX

No. OF PIN  
 02:2PIN  
 15:15PIN  
 16:16PIN



NO.	Dimensions	
	A	B
02P	2.00	6.00
03P	4.00	8.00
04P	6.00	10.00
05P	8.00	12.00
06P	10.00	14.00
07P	12.00	16.00
08P	14.00	18.00
09P	16.00	20.00
10P	18.00	22.00
11P	20.00	24.00
12P	22.00	26.00
13P	24.00	28.00
14P	26.00	30.00
15P	28.00	32.00
16P	30.00	34.00

GENERAL TOLERANCE		DRAWN	DATE
x:±0.50 y:±0.38 z:±0.25 xxx:±0.15		Hill	11/24/21'
MATL SEE BOM		CHECKED	DATE
FINISH SEE NOTES		APPROVED	
SCALE N/A	UNIT mm	Hill	DATE 11/24/21'
SHEET 1 OF 1			

**genesis**  
connected solutions

TITLE: PITCH2.00mm Wafer Conn.  
DIP R/A W/LATCH

PART NUMBER: 321-10450-XX

DRAWING NO. 321-10450

SIZE A4  
REV. A

ITEM	NAME	Q'TY	DESCRIPTION	NOTE
2	Contact	N	Brass,50u" Tin Plated All Over	
1	Housing	1	PA6T,UL94V-0,Nature	