

PROPRIETARY INFORMATION
COMPANY CONFIDENTIAL

REV	ECN. NO.	DESCRIPTION	ENG	DATE
A		INITIAL	Hill	10/12/21'

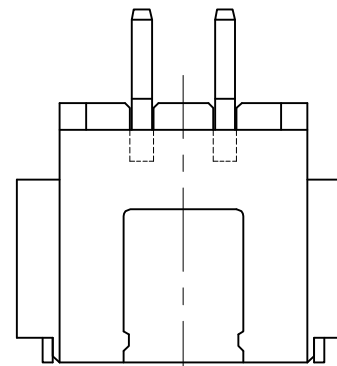
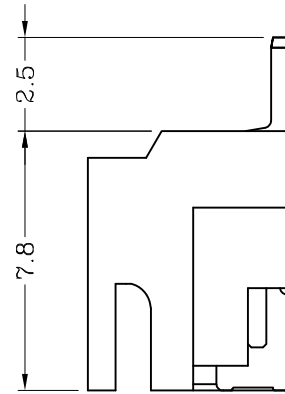
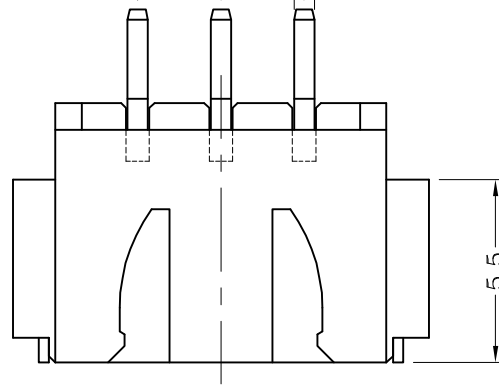
SPECIFICATIONS

Contact resistance: $\leq 20m\Omega$
 Insulation resistance: $\geq 1000M\Omega$
 Rated voltage: 250V AC DC
 Rated current: 3.0A AC DC
 Withstand Voltage : 1000V AC/minute
 Temperature Range : $-25^{\circ}C \sim +105^{\circ}C$

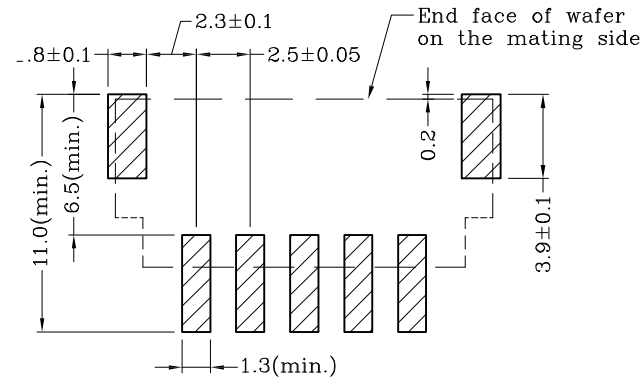
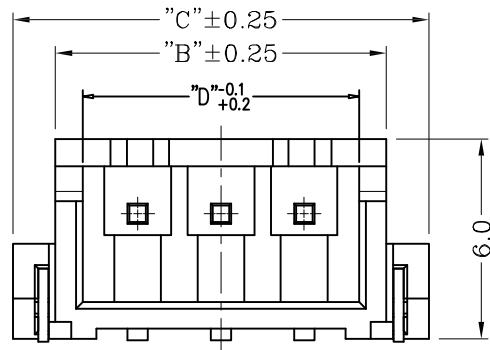
321-10428-XX

No. OF PIN
 02:2PIN
 03:3PIN
 16:16PIN

2.50 ± 0.08 $"A" \pm 0.15$ $0.61SQ$



2P



P.C.B LAYOUT

Circuit	Dimensions(mm)			
	A	B	C	D
02	2.50	7.50	10.00	6.00
03	5.00	10.00	12.50	8.50
04	7.50	12.50	15.00	11.00
05	10.00	15.00	17.50	13.50
06	12.50	17.50	20.00	16.00
07	15.00	20.00	22.50	18.50
08	17.50	22.50	25.00	21.00
09	20.00	25.00	27.50	23.50
10	22.50	27.50	30.00	26.00
11	25.00	30.00	32.50	28.50
12	27.50	32.50	35.00	31.00
13	30.00	35.00	37.50	33.50
14	32.50	37.50	40.00	36.00
15	35.00	40.00	42.50	38.50
16	37.50	42.50	45.00	41.00

2	Contact&Tab	N	Brass,100u" Tin Plated
1	Housing	1	LCP,UL94V-0,Beige
ITEM	NAME	Q'TY	DESCRIPTION

GENERAL TOLERANCE		DRAWN	DATE	
x.±0.50 .x±0.38 .xx±0.25 .xxx±0.15		Hill	10/12/21'	
MATL SEE BOM		CHECKED	DATE	TITLE: PITCH2.50mm Wafer R/A SMT
FINISH SEE NOTES		APPROVED		PART NUMBER: 321-10428-XX
SCALE N/A UNIT mm		Hill	10/12/21'	DRAWING NO. 321-10428
SHEET 1 OF 1				SIZE A4 REV. A