

REV.	ECN. NO.	DESCRIPTION	ENG	DATE
X1		ISSUED	ZAKK	7/11/2022
X2		ADD A25/B25 WIRED TO GND CHANGE CABLE APPEARANCE, ADD LABEL	GUANQI	8/12/2022

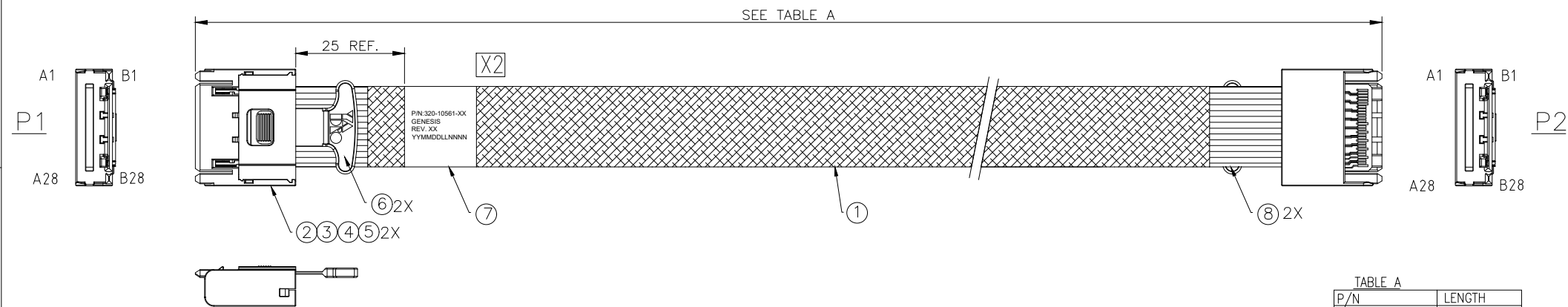


TABLE A

P/N	LENGTH
320-10561-01	600mm±15
320-10561-02	700mm±15
320-10561-03	250mm±10
320-10561-04	300mm±10
320-10561-05	370mm±10
320-10561-06	410mm±10
320-10561-07	430mm±10
320-10561-08	510mm±15
320-10561-09	560mm±15
320-10561-10	680mm±15
320-10561-11	720mm±15
320-10561-12	200mm±10

ITEM	NAME	Q'TY	DESCRIPTION	NOTE
8	ACETATE TAPE	A/R	25.4MM WIDE, BLACK	
7	LABEL	1	WHITE LABEL, 60*30MM(REF)	
6	PULL TAB	1	PULL TAB, PA66, YADRO, BLUE RAL5012	
5	LATCH	2	LATCH, EDSFF 1C, STAINLESS STEEL	
4	COVER	2	COVER, EDSFF 1C, BLACK	
3	HOUSING	2	HOUSING, EDSFF 1C, BLACK	
2	PCB	2	PCB, EDSFF 1C, 85 OHM	
1	TWINAX CABLE	A/R	TWINAX 32AWG, 85 OHM	

GENERAL TOLERANCE X ± .X ± 0.40 .XX ± 0.30 .XXX ± 0.20	ANGLE TOLERANCE X' ± 5.0' .X' ± 3.0' .XX' ± 2.0' .XXX' ± 1.0'	DRAWN ZAKK	DATE 7/11/2022
MATERIAL		CHECKED	DATE
FINISH		APPROVED	DATE
SCALE N/A	UNIT mm		
SHEET 1 OF 2			

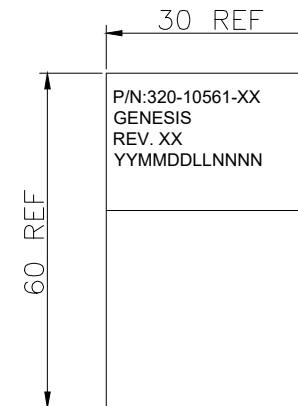
RoHS Compliant

TITLE EDSFF 1C STRAIGHT ASSY TWINAX
PART NUMBER 320-10561-XX
DRAWING NO. 320-10561
SIZE A4 REV. X2

WIRING TABLE

LABEL INFORMATION

P1			P2		P1			P2	
Pin	Label		Pin	Label	Pin	Label		Pin	Label
A1	GROUND	↔	B1	GROUND	B1	GROUND	↔	A1	GROUND
A2	PER0_N	⌘	B2	PET0_N	B2	PET0_N	⌘	A2	PER0_N
A3	PER0_P	⌘	B3	PET0_P	B3	PET0_P	⌘	A3	PER0_P
A4	GROUND	↔	B4	GROUND	B4	GROUND	↔	A4	GROUND
A5	PER1_N	⌘	B5	PET1_N	B5	PET1_N	⌘	A5	PER1_N
A6	PER1_P	⌘	B6	PET1_P	B6	PET1_P	⌘	A6	PER1_P
A7	GROUND	↔	B7	GROUND	B7	GROUND	↔	A7	GROUND
A8	PER2_N	⌘	B8	PET2_N	B8	PET2_N	⌘	A8	PER2_N
A9	PER2_P	⌘	B9	PET2_P	B9	PET2_P	⌘	A9	PER2_P
A10	GROUND	↔	B10	GROUND	B10	GROUND	↔	A10	GROUND
A11	PER3_N	⌘	B11	PET3_N	B11	PET3_N	⌘	A11	PER3_N
A12	PER3_P	⌘	B12	PET3_P	B12	PET3_P	⌘	A12	PER3_P
A13	GROUND	↔	B13	GROUND	B13	GROUND	↔	A13	GROUND
A14	PER4_N	⌘	B14	PET4_N	B14	PET4_N	⌘	A14	PER4_N
A15	PER4_P	⌘	B15	PET4_P	B15	PET4_P	⌘	A15	PER4_P
A16	GROUND	↔	B16	GROUND	B16	GROUND	↔	A16	GROUND
A17	PER5_N	⌘	B17	PET5_N	B17	PET5_N	⌘	A17	PER5_N
A18	PER5_P	⌘	B18	PET5_P	B18	PET5_P	⌘	A18	PER5_P
A19	GROUND	↔	B19	GROUND	B19	GROUND	↔	A19	GROUND
A20	PER6_N	⌘	B20	PET6_N	B20	PET6_N	⌘	A20	PER6_N
A21	PER6_P	⌘	B21	PET6_P	B21	PET6_P	⌘	A21	PER6_P
A22	GROUND	↔	B22	GROUND	B22	GROUND	↔	A22	GROUND
A23	PER7_N / SB1	⌘	B23	PET7_N / SB7	B23	PET7_N / SB7	⌘	A23	PER7_N / SB1
A24	PER7_P / SB2	⌘	B24	PET7_P / SB8	B24	PET7_P / SB8	⌘	A24	PER7_P / SB2
A25	SB3 / GROUND	↔	B25	SB9 / GROUND	B25	SB9 / GROUND	↔	A25	SB3 / GROUND
A26	PER8_N / SB4	⌘	B26	PET8_N / SB10	B26	PET8_N / SB10	⌘	A26	PER8_N / SB4
A27	PER8_P / SB5	⌘	B27	PET8_P / SB11	B27	PET8_P / SB11	⌘	A27	PER8_P / SB5
A28	SB6 / GROUND	↔	B28	SB12 / GROUND	B28	SB12 / GROUND	↔	A28	SB6 / GROUND



FONT: ARIAL
HEIGHT: 2.0mm Min

- TEST CONDITIONS:
- 100% OPEN & SHORT & MISS-WIRING & INTERMITTENCE TEST.
 - CONDUCTIVE RESISTANCE: 3Ω MAX.
 - INSULATION RESISTANCE: 10 MΩ
 - HI-POT TEST: 300VDC FOR 10ms.
 - THIS PRODUCT MEETS PCIe 3.0

A1,A4,A7,A10,A13,A16,A19,A22,A25,B1,A4,B7,B10,B13,
B16,B19,B22,B25 are connected together as GROUND



RoHS Compliant

GENERAL TOLERANCE X ± .X ± 0.40 .XX ± 0.30 .XXX ± 0.20	ANGLE TOLERANCE X' ± 5.0' .X' ± 3.0' .XX' ± 2.0' .XXX' ± 1.0'	DRAWN ZAKK	DATE 7/11/2022	
FINISH		CHECKED	DATE	
SCALE N/A		APPROVED		PART NUMBER 320-10561-XX
SHEET 2 OF 2		DATE		DRAWING NO. 320-10561
UNIT mm		DATE		SIZE A4 REV. X2