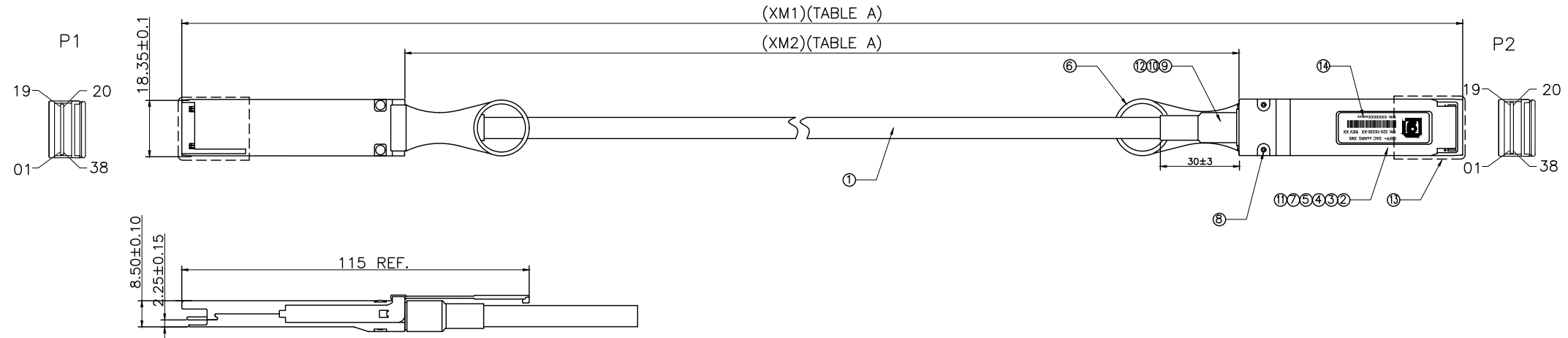
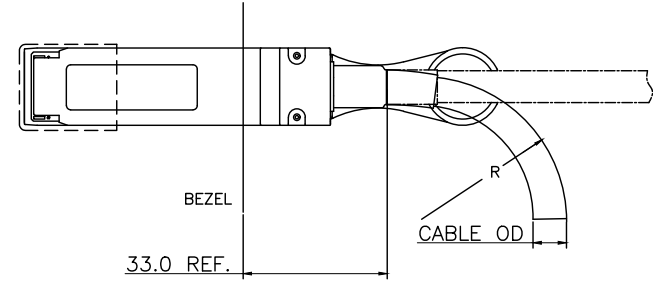


PROPRIETARY INFORMATION
COMPANY CONFIDENTIAL

REV.	ECN. NO.	DESCRIPTION	ENG	DATE
X1		FIRST ISSUE	KYLE	11/8/2018
X2		ADD 7M LENGTH	KYLE	3/19/2019



- NOTE(注释):
- CABLE ASSEMBLY IMPEDANCE: 100±10 ohm.
成品特性阻抗: 100±10 欧姆
 - 100% CONDUCTOR TEST, TEST CONDITION:VOLTAGE 5V,INSULTION RESISTANCE 10M ohm, CONDUCTION RESISTANCE MAX 3 ohm
100% 导通测试, 测试条件为电压5V, 绝缘10M欧姆, 导通电阻不大于3欧姆
 - HIGH-FREQUENCY TEST ACCORDING TO IEEE802.3 STANDARD.
高频测试依照IEEE802.3标准测试
 - ALL MATERIAL MUST COMPLY WITH ROHS2.0.
所有物料必须符合ROHS2.0



CABLE GAUGE	CABLE "OD"	STATIC BEND RADIUS"R"	DYNAMIC BEND RADIUS"R"
30AWG	6.1MM	30.5MM	61MM
26AWG	8.7MM	43.5MM	87MM
24AWG	9.8MM	49.0MM	98MM

14	CONN. LABEL(壳标)	BACK SHELL LABEL, 29.5*9.6mm	2
13	DUST COVER(防尘盖)	LDPE, NATURAL	2
12	HEAT SHRINKABLE TUBE(热缩套管)	φ9.5MM,	A/R
11	INNER MOLD(内模)	HOT-MELT GLUE	A/R
10	BRASS BUCKLE(铜扣)	BRASS, PLATED Ni	2
9	COPPER RING(铜环)	COPPER, PLATED Ni	2
8	RIVET(铆钉)	ALUMINIUM ALLOY	4
7	SPRING(弹簧)	HANDED ROTATION, SWPB	4
6	PULL TAB(拉带)	PA66 S1300, SKY BLUE	2
5	LATCH(挂钩)	STAINLESS STEEL	2
4	BOTTOM SHELL(下壳)	Zn ALLOY, PLATED Ni OVER Cu	2
3	TOP SHELL(上壳)	Zn ALLOY, PLATED Ni OVER Cu	2
2	PCB ASSEMBLY(PCB 成品)	QSFP+ PCB, 38P, Au 30u"Min	2
1	RAW CABLE(线材)	8PAIRS, BLACK, ROHS2.0 See Table A	A/R
ITEM	NAME	DESCRIPTION	Q'TY

RoHS Compliant

GENERAL TOLERANCE .X± 0.50 .X± 0.20 .XX± 0.10 .XXX± 0.05	ANGLE TOLERANCE X°± 5.0° .X°± 3.0° .XX°± 2.0° .XXX°± 1.0°	DRAWN KYLE	DATE 3/19/2019	
MATERIAL SEE BOM		CHECKED	DATE	
FINISH SEE NOTES		APPROVED	DATE	TITLE: QSFP+ to QSFP+, 40G, DAC
SCALE N/A	UNIT mm			PART NUMBER. 320-10230-XX
SHEET 1 OF 3				DRAWING NO. 320-10230
				SIZE A4 REV. X2

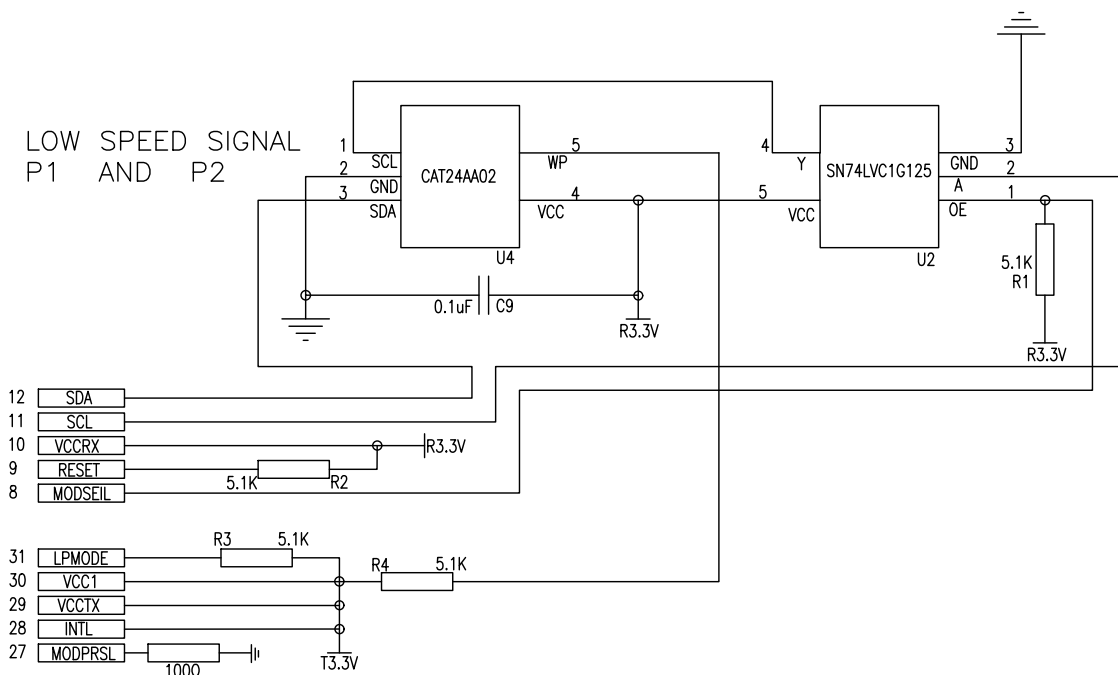
PROPRIETARY INFORMATION
COMPANY CONFIDENTIAL

REV.	ECN. NO.	DESCRIPTION	ENG	DATE
		REFER TO PAGE 1		

WIRING TABLE

P1		P2	
GND(TX)	01	20	GND(RX)
TX2n	02	21	RX2n
TX2p	03	22	RX2p
GND(TX)	04	23	GND(RX)
TX4n	05	24	RX4n
TX4p	06	25	RX4p
GND(TX)	07	26	GND(RX)
GND(RX)	13	32	GND(TX)
RX3p	14	33	TX3p
RX3n	15	34	TX3n
GND(RX)	16	35	GND(TX)
RX1p	17	36	TX1p
RX1n	18	37	TX1n
GND(RX)	19	38	GND(TX)
GND(RX)	20	01	GND(TX)
RX2n	21	02	TX2n
RX2p	22	03	TX2p
GND(RX)	23	04	GND(TX)
RX4n	24	05	TX4n
RX4p	25	06	TX4p
GND(RX)	26	07	GND(TX)
GND(TX)	32	13	GND(RX)
TX3p	33	14	RX3p
TX3n	34	15	RX3n
GND(TX)	35	16	GND(RX)
TX1p	36	17	RX1p
TX1n	37	18	RX1n
GND(TX)	38	19	GND(RX)

LOW SPEED SIGNAL
P1 AND P2

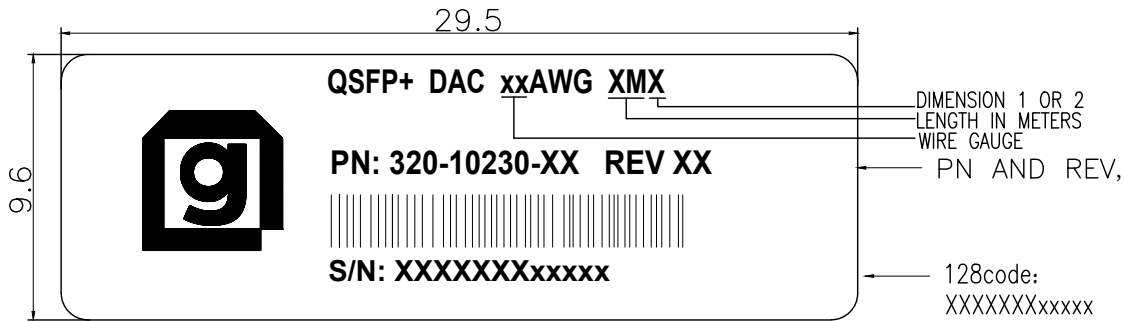


RoHS Compliant

GENERAL TOLERANCE X ± 0.50 .X ± 0.20 .XX ± 0.10 .XXX ± 0.05	ANGLE TOLERANCE X° ± 5.0° .X° ± 3.0° .XX° ± 2.0° .XXX° ± 1.0°	DRAWN KYLE	DATE 3/19/2019	genesis connected solutions TITLE: QSFP+ to QSFP+, 40G, DAC
MATL SEE BOM	FINISH SEE NOTES	CHECKED	DATE	
SCALE N/A	UNIT mm	APPROVED	DATE	DRAWING NO. 320-10230
SHEET 2 OF 3				SIZE A4 REV. X2

REV.	ECN. NO.	DESCRIPTION	ENG	DATE
		REFER TO PAGE 1		

CONN. LABEL(壳标):



S/N: XXXXXXXXxxxxx

5位流水号
7位PO NO. 订单号

PACKAGING:

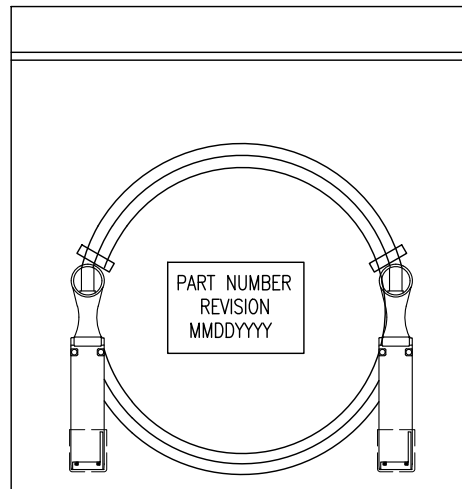


TABLE A				
PART NUMBER	WIRE TYPE	xx AWG	XM1 LENGTH	XM2 LENGTH
320-10230-01	PVC	30	500±20	
320-10230-02	PVC	30	1000±30	
320-10230-03	PVC	30	2000±30	
320-10230-04	PVC	30	3000±40	
320-10230-05	PVC	26	5000±50	
320-10230-06	LSZH	30	500±20	
320-10230-07	LSZH	30	1000±30	
320-10230-08	LSZH	30	2000±30	
320-10230-09	LSZH	30	3000±40	
320-10230-10	LSZH	26	5000±50	
320-10230-11	PVC	30		500±20
320-10230-12	PVC	30		1000±30
320-10230-13	PVC	30		2000±30
320-10230-14	PVC	30		3000±40
320-10230-15	PVC	26		5000±50
320-10230-16	LSZH	30		500±20
320-10230-17	LSZH	30		1000±30
320-10230-18	LSZH	30		2000±30
320-10230-19	LSZH	30		3000±40
320-10230-20	LSZH	26		5000±50
320-10230-21	PVC	24	7000±50	
320-10230-22	LSZH	24	7000±50	
320-10230-23	PVC	24		7000±50
320-10230-24	LSZH	24		7000±50

RoHS Compliant

GENERAL TOLERANCE X.± 0.50 .X± 0.20 .XX± 0.10 .XXX± 0.05	ANGLE TOLERANCE X°± 5.0° .X°± 3.0° .XX°± 2.0° .XXX°± 1.0°	DRAWN	DATE	TITLE: QSFP+ to QSFP+, 40G, DAC
		KYLE	3/19/2019	
MATERIAL: SEE BOM		CHECKED	DATE	PART NUMBER: 320-10230-XX
FINISH: SEE NOTES		APPROVED	DATE	DRAWING NO. 320-10230
SCALE: N/A	UNIT: mm			SIZE: A4
SHEET: 3 OF 3				REV: X2