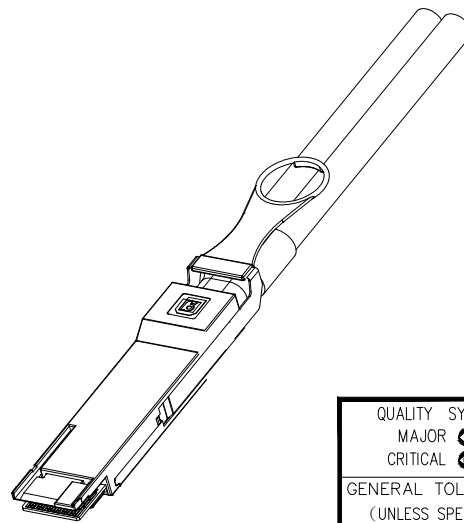


NOTE(注释):

1. CABLE ASSEMBLY IMPEDANCE: 100±10 ohm.
成品特性阻抗: 100±10 欧姆
2. 100% CONDUCTOR TEST, TEST CONDITION: VOLTAGE 5V, INSULATION RESISTANCE 10M ohm, CONDUCTION RESISTANCE MAX 3 ohm
100% 导通测试, 测试条件为电压5V, 绝缘10M欧姆, 导通电阻不大于3欧姆
3. HIGH-FREQUENCY TEST ACCORDING TO IEEE802.3 STANDARD.
高频测试依照IEEE802.3标准测试
4. ALL MATERIAL MUST COMPLY WITH ROHS2.0.
所有物料必须符合ROHS2.0

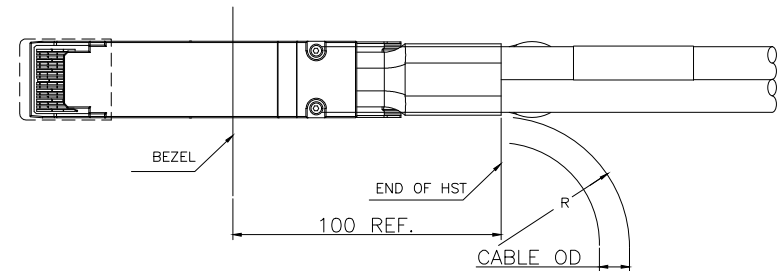
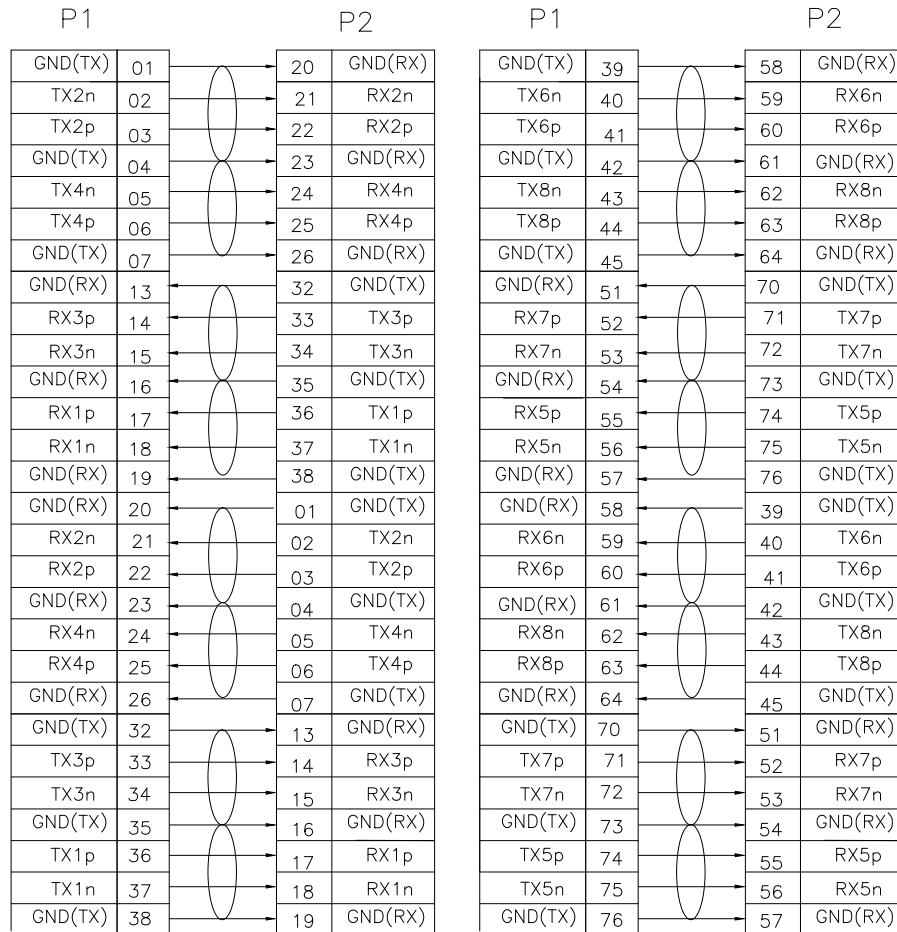
13	CABLE LABEL	LABEL, 48.3*79.2mm	2
12	DUST COVER(防尘盖)	LDPE, NATURAL	2
11	INNER MOLD(内模)	HOT-MELT GLUE	A/R
10	HEAT SHRINKABLE TUBE(热缩套管)	φ17MM,	A/R
9	COPPER FOIL (铜箔)	6.4X0.05mm	2
8	SCREW(螺丝)	SUS304	4
7	SPRING(弹簧)	SWPB	4
6	PULL TAB(拉带)	PA66 S1300, BLACK	2
5	LATCH(挂钩)	STAINLESS STEEL	2
4	BOTTOM SHELL(下壳)	Zn ALLOY, PLATED Ni OVER Cu	2
3	TOP SHELL(上壳)	Zn ALLOY, PLATED Ni OVER Cu	2
2	PCB ASSEMBLY(PCB 成品)	QSFP-DD, PCB, 76P, Au 30u"Min	2
1	RAW CABLE(线材)	TWINAX, 8PAIRS, BLACK, 100ohms TABLE A	A/R
ITEM	NAME	DESCRIPTION	Q'TY



QUALITY SYMBOLS MAJOR Ⓢ CRITICAL Ⓢ	DRAWN BY KYLE	DATE 1/28/2019	ACES ELECTRONICS	
GENERAL TOLERANCES (UNLESS SPECIFIED)	CHECKED BY	DATE		
.X ± .XX ±0.5 .XXX ±0.3 .XXX ± ANGLES ±2°	APPROVED BY	DATE	SIZE A4	RFQ NO. 320-10223-XX
	UNITS mm		SCALE N/A	DWG NO. 320-10223
	SHEET NO. 1 OF 3		REV X10	



WIRING TABLE



CABLE GAUGE	CABLE "OD"	STATIC BEND RADIUS "R"	DYNAMIC BEND RADIUS "R"
30AWG	6.7MM	33.5MM	67MM
26AWG	8.9MM	44.5MM	89MM
28AWG	7.9MM	39.5MM	79MM

QUALITY SYMBOLS MAJOR CRITICAL	DRAWN BY KYLE CHECKED BY DATE 1/28/2019	ACES ELECTRONICS	
GENERAL TOLERANCES (UNLESS SPECIFIED) .X ± .XX ±0.5 .XXX ± ANGLES ±2°	APPROVED BY DATE		TITLE QSFP-DD TO QSFP-DD, 400G ASSEMBLY
	UNITS mm	SIZE A4	RFQ NO. 320-10223-XX
	SCALE N/A	SHEET NO. 2 OF 3	REV X10
			DWG NO. 320-10223

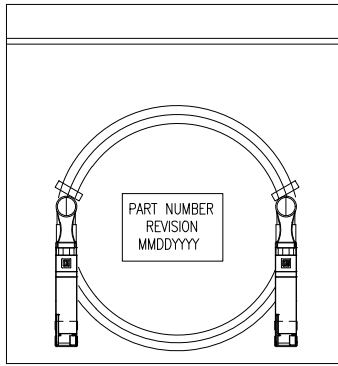


TABLE A				
PART NUMBER	WIRE TYPE	xx AWG	XM1 LENGTH	XM2 LENGTH
320-10223-01	PVC	30	500±10	
320-10223-02	PVC	30	1000±10	
320-10223-03	PVC	30	1500±15	
320-10223-07	LSZH	30	500±10	
320-10223-08	LSZH	30	1000±10	
320-10223-09	LSZH	30	1500±15	
320-10223-13	PVC	30		500±10
320-10223-14	PVC	30		1000±10
320-10223-15	PVC	30		1500±15
320-10223-19	LSZH	30		500±10
320-10223-20	LSZH	30		1000±10
320-10223-21	LSZH	30		1500±15
320-10223-25	PVC	28	2000±20	
320-10223-26	PVC	28	2500±25	
320-10223-27	PVC	28	3000±30	
320-10223-29	PVC	28		2000±20
320-10223-30	PVC	28		2500±25
320-10223-31	PVC	28		500±10
320-10223-32	PVC	28		1000±10

CABLE LABEL:



PACKAGING:



QUALITY SYMBOLS MAJOR CRITICAL	DRAWN BY: KYLE DATE: 1/28/2019 CHECKED BY: _____ DATE: _____		
GENERAL TOLERANCES (UNLESS SPECIFIED) .X ± .X ±0.5 .XX ±0.3 .XXX ± ANGLES ±2°	APPROVED BY: _____ DATE: _____		TITLE QSFP-DD TO QSFP-DD, 400G ASSEMBLY
	UNITS: mm SCALE: N/A	SIZE: A4 REV: X10	RFQ NO.: 320-10223-XX DWG NO.: 320-10223
	SHEET NO.: 3 OF 3		