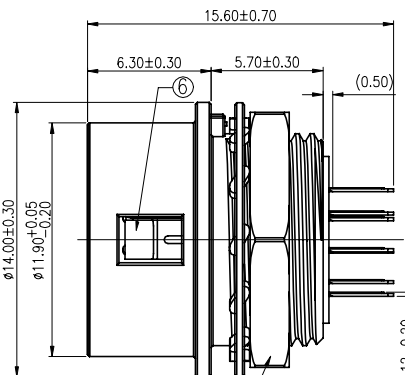
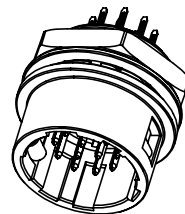
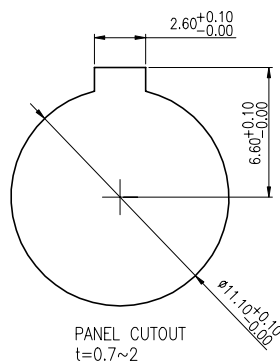
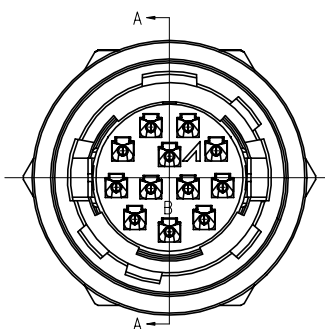
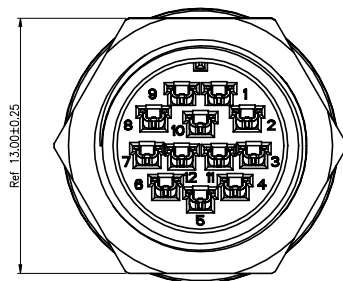


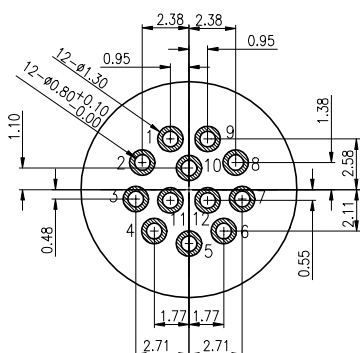
SECTION A-A



M11x0.75



PANEL CUTOUT
t=0.7~2



RECOMMENDED PCB LAYOUT(TOP VIEW)
(TOLERANCE=±0.05mm)

NOTES:

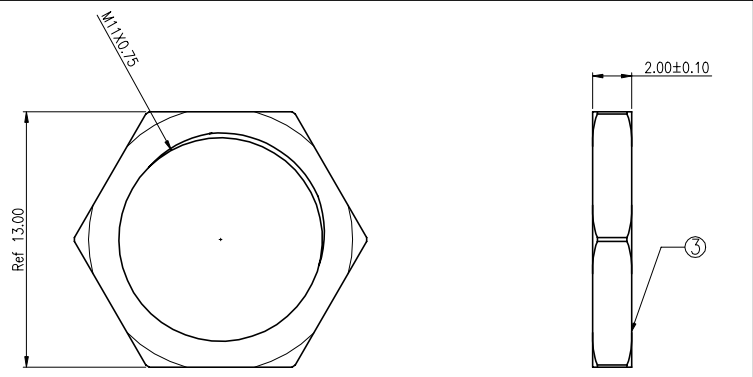
1. MATERIAL: SEE THE TABLE
2. PLATING: SEE THE TABLE
3. ELECTRICAL CHARACTERISTICS:
 - 3.1 CONTACT RESISTANCE:
 - INITIAL: 10mΩ MAX.
 - AFTER: 15mΩ MAX.
 - 3.2 DIELECTRIC WITHSTANDING VOLTAGE:
 - 100 VAC FOR 1 MINUTE.
 - 3.3 INSULATION RESISTANCE: 1000MΩ MIN.
 - 3.4 CURRENT RATING : 2A
- 4 MECHANICAL CHARACTERISTICS :
 - 4.1 INSERTION & EXTRACTION FORCE : 0.5Kgf Min.
5. LIFE TEST: 1000 CYCLES.
6. SALT SPRAY TEST: 48H PLACE 1H
7. MEET IG-GP-01 ENVIRONMENTAL STANDARDS
8. SPEC. PLS. REFER TO SPEC-31938-XXXX-XXX
9. PACKAGE PLS REFER TO 31938-012XX-XXX-PCK
10. PART NUMBER

31938-012 2 E -001

NO OF CKT ——— PLATING:
F: Ag 80u"
PACKING:
2: Tray

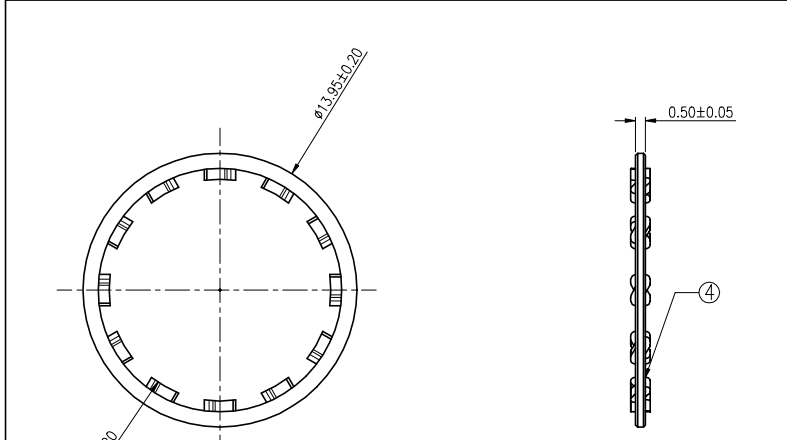
NO	DESCRIPTION	Q'TY	MATERIAL	PLATING & COLOR
6	SPRING	1	SUS	NA
5	HOUSING	1	PBT UL94V-0	Black
4	WASHER	1	PHOSPHOR BRONZE T=0.50	NICKEL PLATED 50u" Min.
3	NUT	1	BRASS T=0.20	NICKEL PLATED 50u"Min.
2	CASING	1	ZINC ALLOY	NICKEL PLATED 200u" Min.
1	TERMINAL	6	BRASS T=0.15	Ag PLATED 80u" Min.

QUALITY SYMBOLS MAJOR Ⓜ CRITICAL Ⓢ GENERAL TOLERANCES (UNLESS SPECIFIED) X ± 0.3 .X ± 0.2 .XX ± 0.1 .XXX ± 0.05 ANGLES ± 1°	DRAWN BY Peng, Wu Chuan CHECKED BY Chang, chun te APPROVED BY Kuo, rong hsun	DATE 22/12/07 DATE 22/12/07 DATE 22/12/07	<p>ACES ELECTRONICS</p> <p>Circular CONN.</p>		
	UNITS mm	SIZE A4		RFG NO. ---	
	SCALE - : -	SHEET NO. 1 OF 2		REV B	DWG NO. 31938-0122F-001



Nut

P/N :NUT-M011-02022-001



Washer

P/N :WSH-M011-00533-003

QUALITY SYMBOLS MAJOR Ⓜ CRITICAL Ⓢ GENERAL TOLERANCES (UNLESS SPECIFIED) X. ±0.3 .X ±0.2 .XX ±0.1 .XXX ±0.05 ANGLES ±1°	DRAWN BY Peng, Wu Chuan	DATE 22/12/07		TITLE Circular CONN.		
	CHECKED BY Chang, chun te	DATE 22/12/07			UNITS mm	SIZE A4
	APPROVED BY Kuo, rong hsun	DATE 22/12/07	SCALE - : -	SHEET NO. 2 OF 2	REV B	DWG NO. 31938-0122F-001