

3D VIEW

NOTES:

1.MATERIAL:

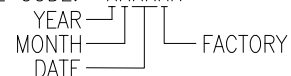
- 1.1 HOUSING: SEE TABLE
- 1.2 CONTACTS: SEE TABLE
- 1.3 SHELL: SEE TABLE

2.FINISH:

- 2.1 CONTACT: SEE P/N
- 2.2 SHELL: SEE TABLE

3.THE CONNECTOR IS RoHS COMPLIANT.

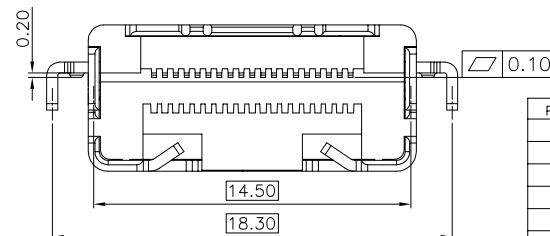
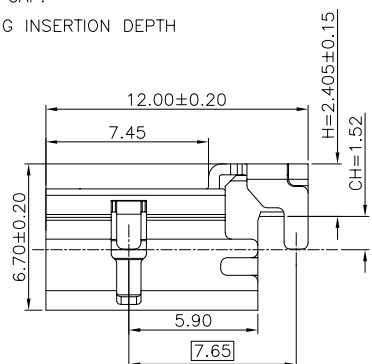
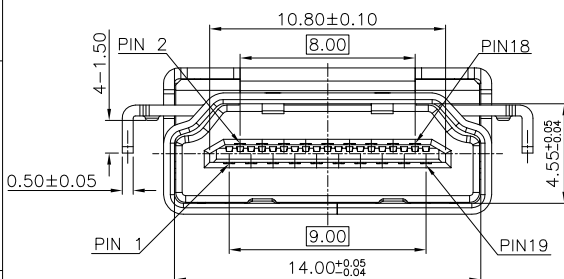
4.DATE CODE: XXXXXX



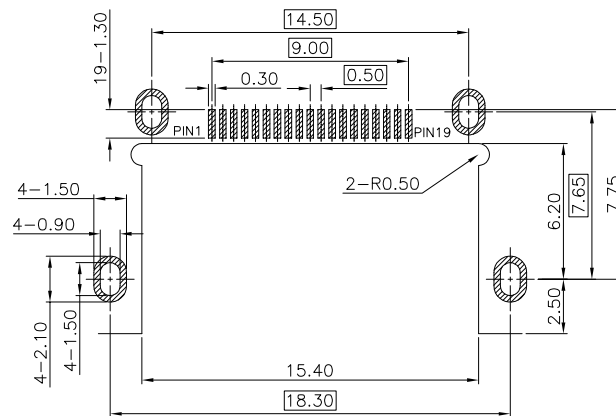
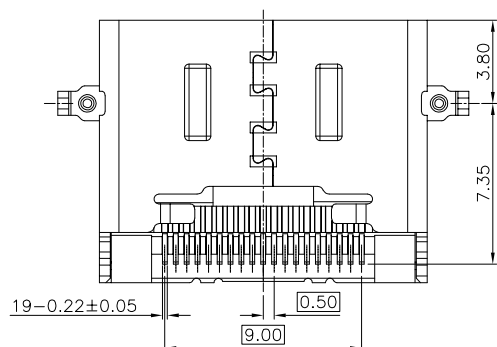
5.SPEC. PLS. REFER TO PS-30280-XXXX-XXX

6.PACKAGE PLS. REFER TO 30280-XXXX-XXX-PCK

7.P/N: 30280-019 X X-001



PIN #	SIGNAL ASSIGNMENT	PIN #	SIGNAL ASSIGNMENT
1	DATA2+	2	DATA2 SHIELD
3	DATA2-	4	DATA1+
5	DATA1 SHIELD	6	DATA1-
7	DATA0+	8	DATA0 SHIELD
9	DATA0-	10	DATA3+
11	DATA3 SHIELD	12	DATA3-
13	CEC	14	UTILITY
15	SCL	16	SDA
17	DDC/CEC GROUND	18	+5V POWER
19	HOT PLUG DETECT		



RECOMMENDED PCB LAYOUT (COMPONENT SIDE)
(TOLERANCE:±0.05)

NO	DESCRIPTION	Q'TY	MATERIAL	PLATING & COLOR
C	SHELL	1	SUS 304, T=0.50mm	50u" MIN. NICKEL PLATED
B	TERMINAL	19	BRASS, T=0.20mm	CONTACT AREA: SEE P/N SOLDER AREA: 80u" MIN MATTE TIN PLATED 50u" MIN. NICKEL UNDERPLATED OVER ALL
A	HOUSING	1	HIGH TEMP. THERMOPLASTIC(LCP)	UL 94V-0, COLOR: BLACK

<p>QUALITY SYMBOLS</p> <p>MAJOR Ⓢ</p> <p>CRITICAL Ⓢ</p> <p>GENERAL TOLERANCES (UNLESS SPECIFIED)</p> <p>X. ±0.5</p> <p>.X ±0.25</p> <p>.XX ±0.15</p> <p>.XXX ±0.1</p> <p>ANGLES ±2°</p>	<p>DRAWN BY: LIAO WAN TING '22/02/11</p> <p>CHECKED BY: TENG CHANG HO '22/02/11</p> <p>APPROVED BY: KUO JUNG HSUN '22/02/11</p>	<p>DATE: '22/02/11</p> <p>DATE: '22/02/11</p> <p>DATE: '22/02/11</p>	<p>ACES ELECTRONICS</p> <p>TITLE: HDMI A 2.1 RVS SINK RECEPTACLE</p> <p>SMT R/A CH=-1.52mm</p>	<p>UNITS: mm</p> <p>SCALE: X : X</p>	<p>SIZE: A4</p> <p>SHEET NO.: 1 OF 1</p>	<p>RFO NO.: NA</p> <p>REV: A</p> <p>DWG NO.: 30280-XXXX-XXX</p>
-----------------------------------------------------------------------------------------------------------------------------------------------------------------------------------------	---------------------------------------------------------------------------------------------------------------------------------	----------------------------------------------------------------------	-------------------------------------------------------------------------------------------------------	--------------------------------------	------------------------------------------	-----------------------------------------------------------------