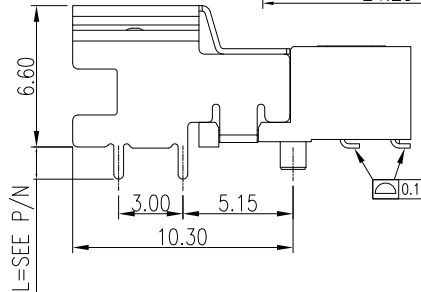
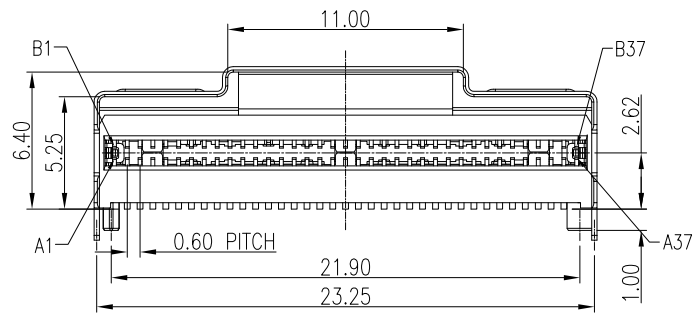
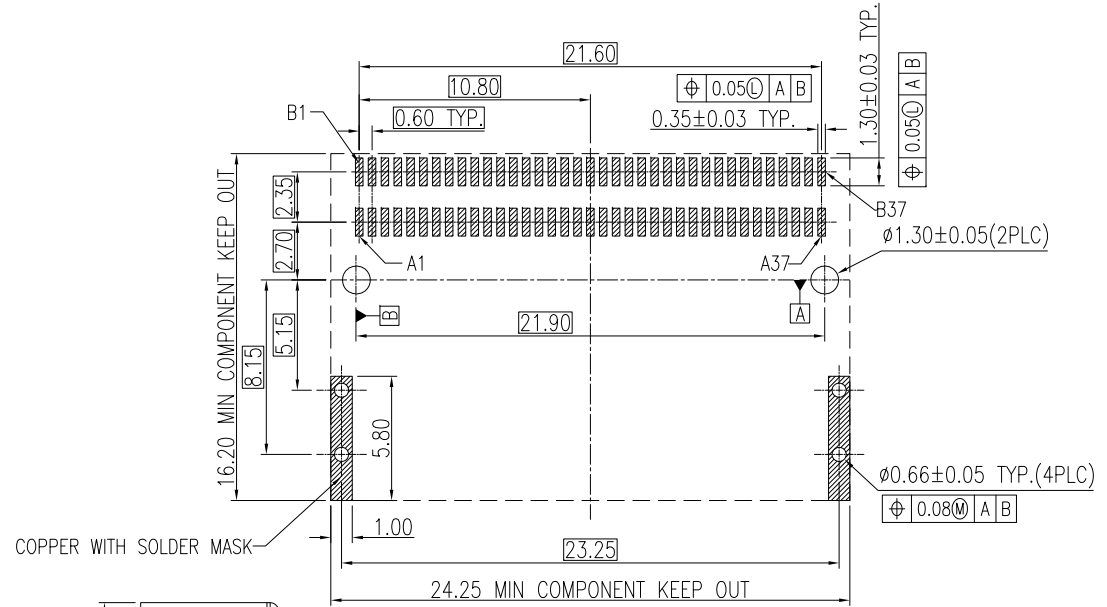
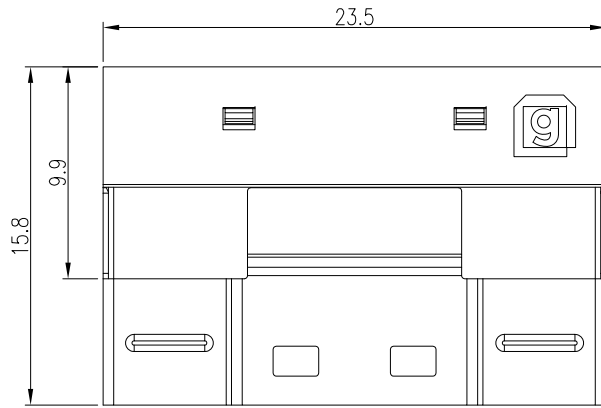


PROPRIETARY INFORMATION
COMPANY CONFIDENTIAL

REV.	ECN. NO.	DESCRIPTION	ENG	DATE
X1		INITIAL	TERRY	05/31/18'
X2		ADD HOUSING COLOUR	LEO	10/01/22'



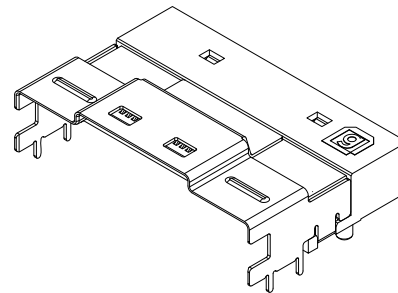
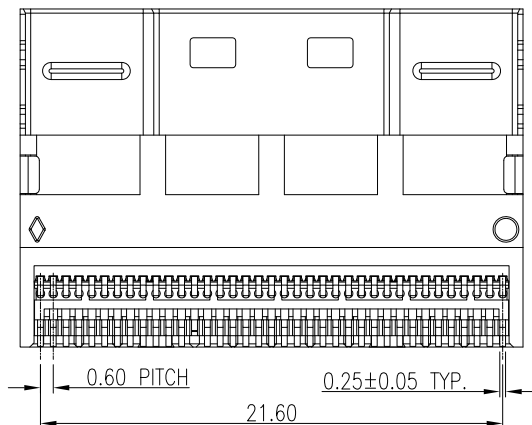
NOTES:

MATERIAL:

- HOUSING: SOLDER REFLOW PROCESS COMPATIBLE LCP, BLACK, UL94V-0
CONTACTS: HIGH PERFORMANCE COPPER ALLOY
SHELL: SUS
- ROHS COMPLIANT

PART NUMBER

PART NUMBER	GOLD PLATING	DIM. L
230-10047-01	GOLD 30u"	1.5mm
230-10047-02	GOLD 30u"	2.2mm
230-10047-03	GOLD 30u"	3.0mm
230-10047-04	GOLD 30u"	4.2mm
230-10047-05	GOLD 15u"	1.5mm
230-10047-06	GOLD 15u"	2.2mm
230-10047-07	GOLD 15u"	3.0mm
230-10047-08	GOLD 15u"	4.2mm



GENERAL TOLERANCE	ANGLE TOLERANCE	DRAWN	DATE	
X.±	X°±	Terry	5/31/18'	
.X±0.35	.X°±	CHECKED	DATE	PART NUMBER: 230-10047-XX
.XX±0.25	.XX°±	APPROVED	DATE	DRAWING NO. 230-10047
.XXX±0.15	.XXX°±			SIZE A4 REV. X2
MATL	SEE BOM			
FINISH	SEE NOTES			
SCALE	N/A			
SHEET	1 OF 1			