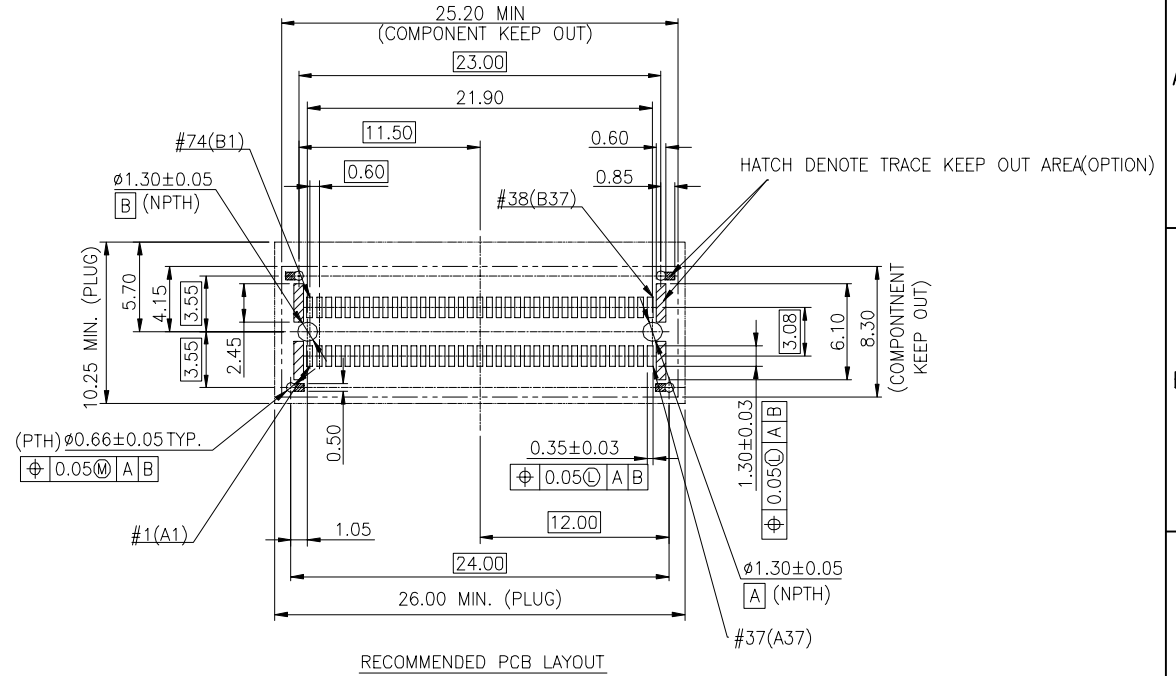
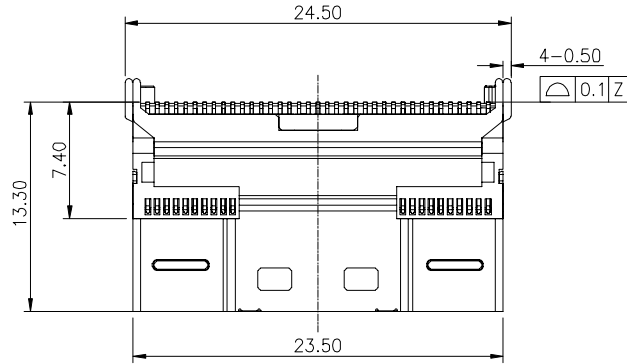
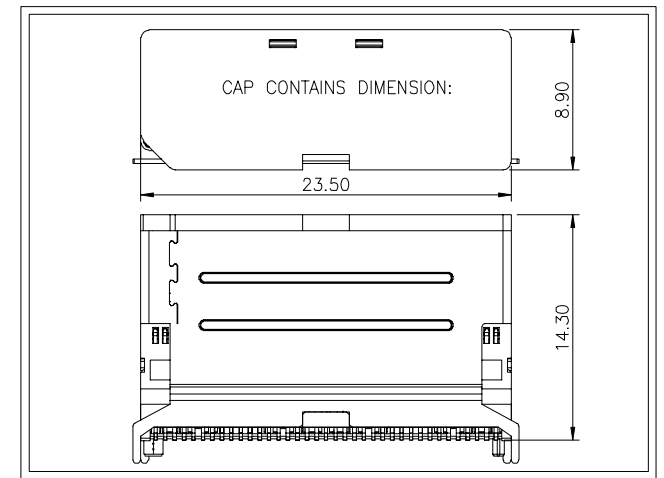
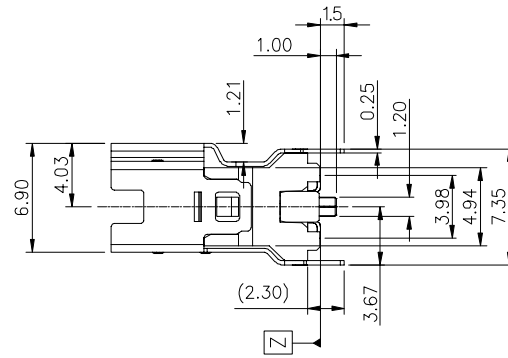
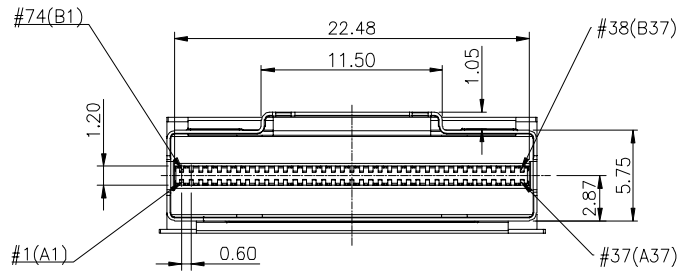


PROPRIETARY INFORMATION
COMPANY CONFIDENTIAL

REV.	ECN. NO.	DESCRIPTION	ENG	DATE
A		INITIAL	Hill	03/07/2018*



RECOMMENDED PCB LAYOUT



ITEM	NAME	DESCRIPTION	NOTE
3	LATCH	STAINLESS STEEL, NI. 50u" MIN PLATING OVERALL	
2	CONTACT	C7055-TM04, NI. 50u"MIN PLATING OVERALL ,MATT Tin 120u" MIN ON SOLDER TAIL,Au 30u" MIN ON Contact AREA	
1	HOUSING	LCP 30% GF,Black	UL94V-0

GENERAL TOLERANCE	ANGLE TOLERANCE	DRAWN	DATE
X.±0.3	X.'±3	Hill	03/07/2018*
.X±0.25	.X'±2	CHECKED	DATE
.XX±0.15	.XX'±	APPROVED	DATE
.XXX±0.08		Hill	03/07/2018*

MATL	FINISH	SCALE	N/A	UNIT	mm

genesis
connected solutions

TITLE: SLIMSAS X8 VERTICAL RECEPTACLE
74 POSITION, HALOGEN FREE

PART NUMBER:
230-10053-01

DRAWING NO.
230-10053

SIZE
REV. A