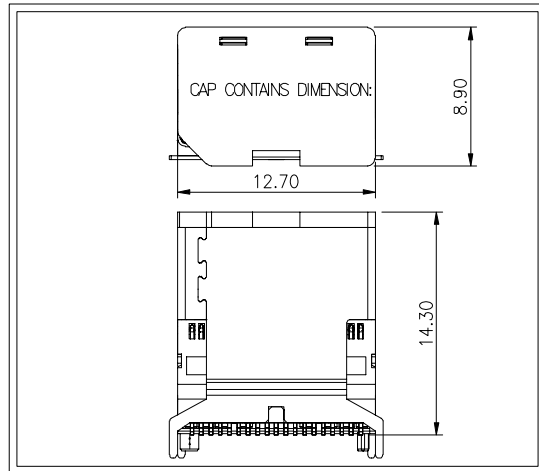
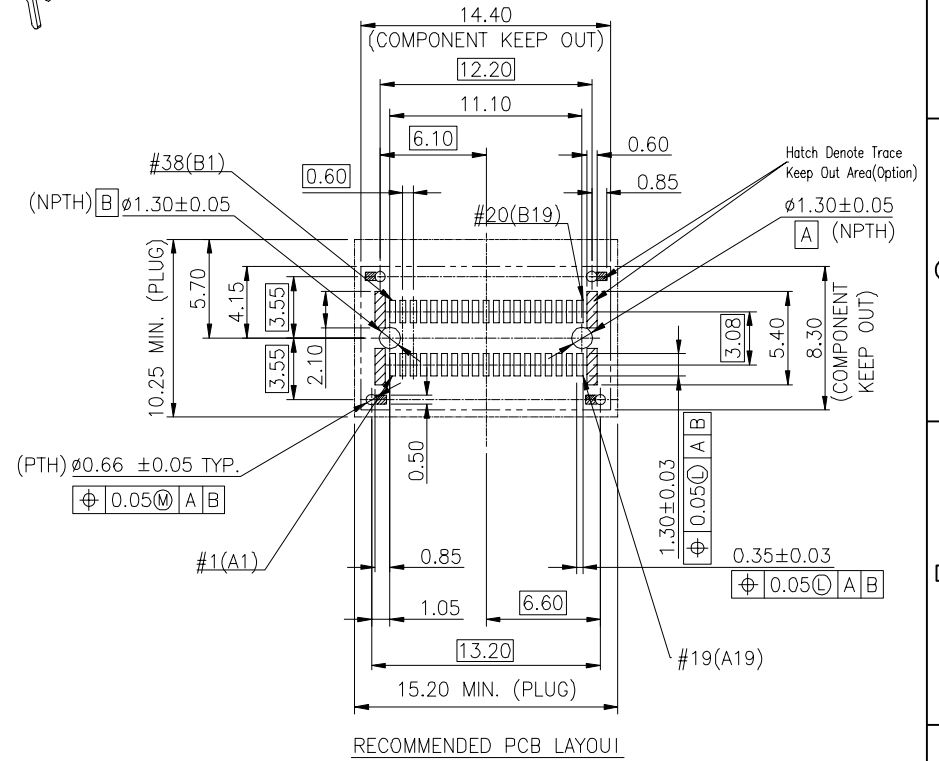
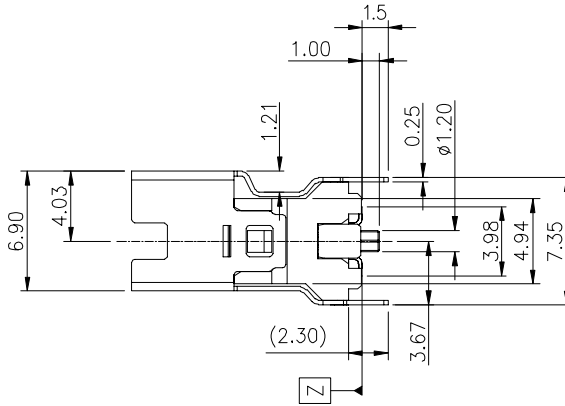
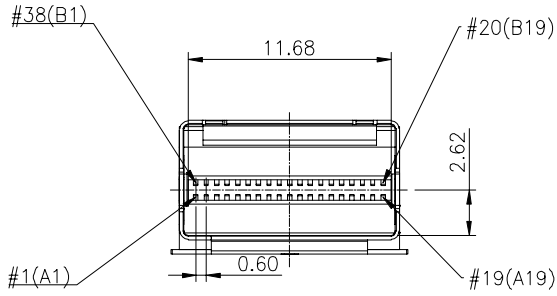
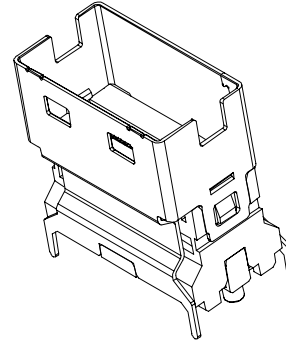
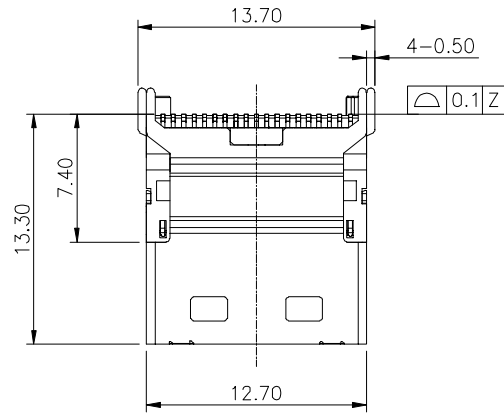


PROPRIETARY INFORMATION
COMPANY CONFIDENTIAL

| REV. | ECN. NO. | DESCRIPTION | ENG | DATE |
|------|----------|-------------|------|-------------|
| A | | INITIAL | Hill | 03/07/2018* |



| ITEM | NAME | DESCRIPTION | NOTE |
|------|---------|--|---------|
| 3 | LATCH | STAINLESS STEEL, NI. 50u" MIN PLATING OVERALL | |
| 2 | CONTACT | C7055-TM04, NI. 50u" MIN PLATING OVERALL, MATT Tin 120u" MIN ON SOLDER TAIL, Au 30u" MIN ON Contact AREA | |
| 1 | HOUSING | LCP 30% GF, Black | UL94V-0 |

| GENERAL TOLERANCE | | ANGLE TOLERANCE | | DRAWN | DATE |
|-------------------|-----------|-----------------|-------|----------|-------------|
| X.±0.3 | .X±0.25 | X.°±3 | .X'±2 | Hill | 03/07/2018* |
| .XX±0.15 | .XXX±0.08 | .XX'± | | CHECKED | DATE |
| MATERIAL | | FINISH | | APPROVED | DATE |
| SCALE N/A | | UNIT mm | | Hill | 03/07/2018* |
| SHEET 1 OF 2 | | DRAWING NO. | | SIZE | |

| | |
|--|------|
| TITLE: SLIMSAS X4 VERTICAL RECEPTACLE 38 POSITION, HALOGEN FREE | |
| PART NUMBER: 230-10051-01 | |
| DRAWING NO. 230-10051 | |
| REV. A | SIZE |

genesis
connected solutions

