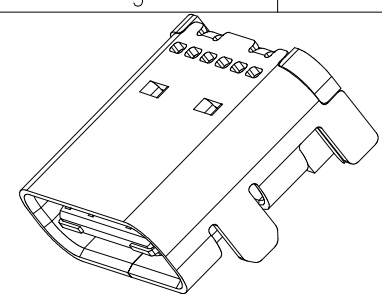


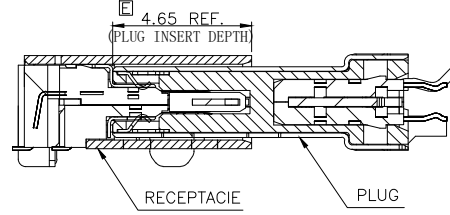
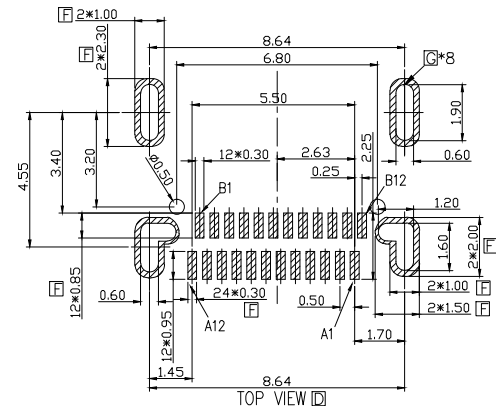
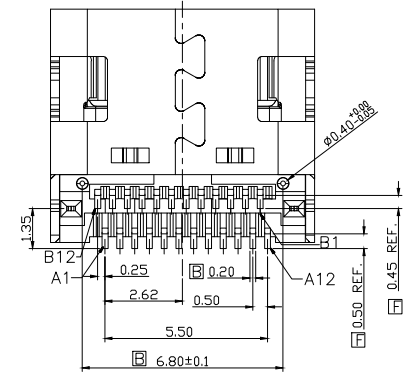
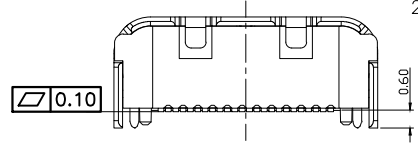
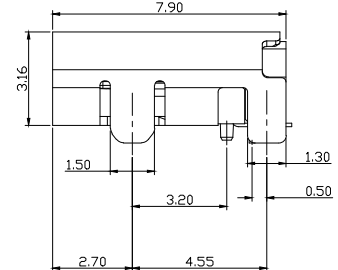
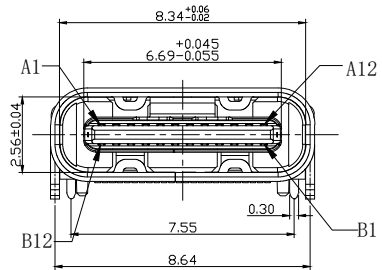
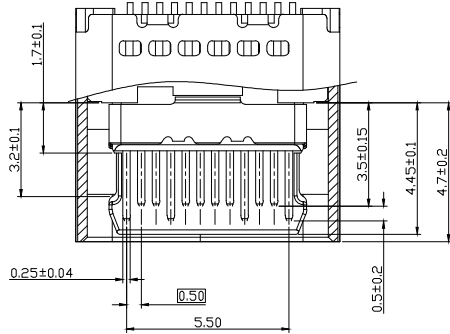
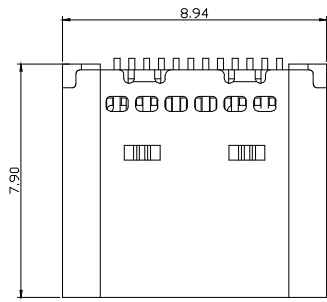
PROPRIETARY INFORMATION  
COMPANY CONFIDENTIAL



| REV | ECN. NO. | DESCRIPTION                                | ENG   | DATE     |
|-----|----------|--|-------|----------|
| C   |          | UPDATE DRAWING                             | Ethan | 02/03/21 |
| D   |          | ADD TOP VIEW ON PCB LAYOUT AND ORIENTATION | AXL   | 03/17/21 |
| E   |          | CHANGE PLUG INSERT DEPTH TO 4.65           | Ethan | 03/29/21 |
| F   |          | UPDATE DRAWING                             | Ethan | 06/03/21 |
| G   |          | UPDATE LAYOUT                              | Ethan | 09/08/21 |

NOTES

- MATERIAL:
  - Housing: LCP+30%GF BLACK(UL94V-0, )
  - Contact: Copper alloy, Nickel(50u" Min.)under plating overall; Tin(100u" Min.)plating on solder area; Gold 5u" plating contact area.
  - Shell: Stainless steel; Nickel 60u"Min plating overall
  - Shield: Stainless steel/Clean;
- ELECTRICAL SPECIFICATIONS:
  - Rated Current : 5A for Vbus Pins,1.25A for Vconn Pin, 0.25A for All Other Pins
  - Contact Resistance: 40mΩ MAX
  - Insulation Resistance: 100MΩ MIN 250V DC
  - Dielectric Withstanding voltage: 100V AC
  - Insertion Force: 5~20N  
UNmating Force: 8~20N (After life:6~20N)
  - Reliability: 10,000 cycle
  - Operating Temperature: -55℃~+85℃



|     |             |     |             |
|-----|-------------|-----|-------------|
| A1  | GND         | B12 | GND         |
| A2  | SSTXP1      | B11 | SSRXP1      |
| A3  | SSTXN1      | B10 | SSRXN1      |
| A4  | VBUS        | B9  | VBUS        |
| A5  | CC1         | B8  | SBU2        |
| A6  | DP1         | B7  | DN2         |
| A7  | DN1         | B6  | DP2         |
| A8  | SBU1        | B5  | CC2         |
| A9  | VBUS        | B4  | VBUS        |
| A10 | SSRXN2      | B3  | SSTXN2      |
| A11 | SSRXP2      | B2  | SSTXP2      |
| A12 | GND         | B1  | GND         |
| PIN | SIGNAL NAME | PIN | SIGNAL NAME |

RECOMMENDED P.C.B. LAYOUT  
TOLERANCE UNSPECIFIED ±0.05mm

|  |                 |          |          |                               |
|--|-----------------|----------|----------|-------------------------------|
| GENERAL TOLERANCE                      | ANGLE TOLERANCE | DRAWN    | DATE     |                               |
| .X ± 0.30<br>.XX ± 0.20<br>.XXX ± 0.10 | ±2'             | Ethan    | 09/08/21 |                               |
| MATL                                   | SEE BOM         | CHECKED  | DATE     | TITLE.                        |
| FINISH                                 | SEE NOTES       | APPROVED | DATE     | USB 3.2 C TYPE FEMALE R/A SMT |
| SCALE                                  | N/A             | Hill     | 09/08/21 | PART NUMBER.                  |
| SHEET                                  | 1 OF 1          |          |          | 210-10134-01                  |
|  |                 |          |          | DRAWING NO.                   |
|  |                 |          |          | 210-10134                     |
|  |                 |          |          | SIZE A4<br>REV. G             |