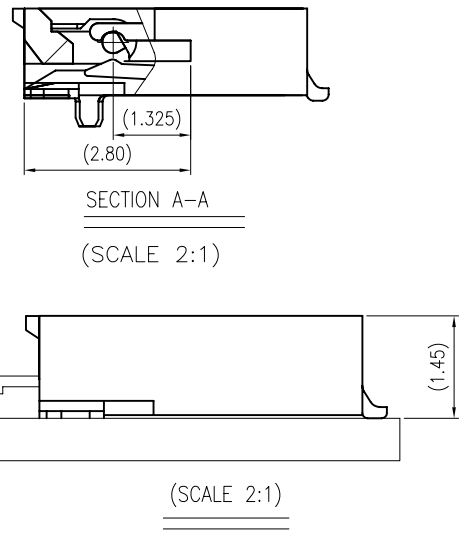
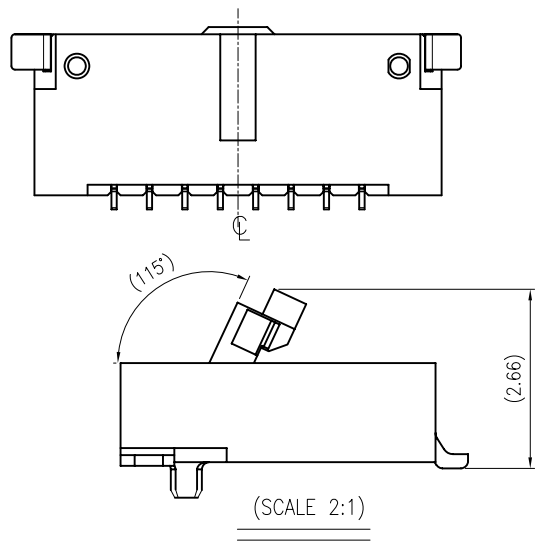
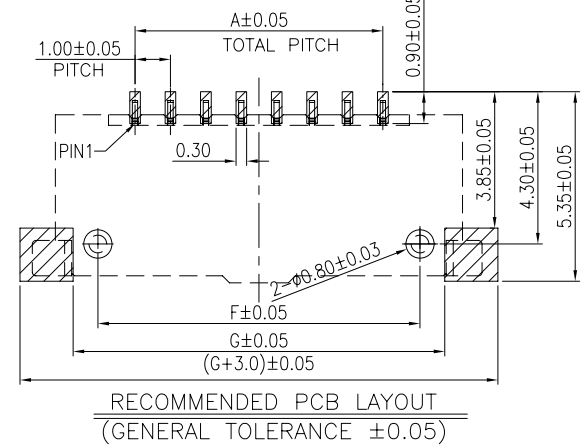
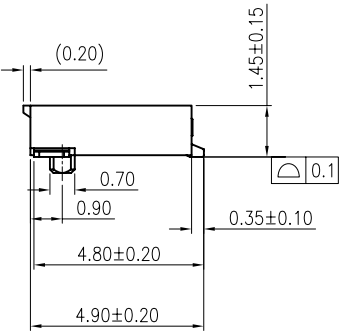
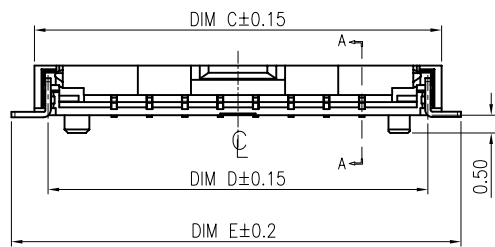


- NOTES:
- MATERIAL:
 - HOUSING: THERMOPLASTIC, HIGH TEMP(LCP) UL94V-0. COLOR:NATURAL.
 - ACTUATOR:THERMOPLASTIC, HIGH TEMP(NYLON 6T) UL94V-0. COLOR:BLACK.
 - CONTACT: COPPER ALLOY.
 - FITTING NAIL: COPPER ALLOY
 - FINISH:
 - CONTACT:
 - 50u" MIN. NICKEL UNDERPLATING OVERALL.
 - 1:GOLD FLASH PLATING ON CONTACT AREA.
 - FITTING NAIL:
 - 50u" MIN. NICKEL UNDERPLATING OVERALL.
 - 80u" MIN. TIN PLATING ON SOLDER TAILS.
 - REFLOW SOLDER CAPABLE TO 260°C PER ACES SPEC.
 - SPEC.PLS REFER TO PS-51503-XXXX-XXX
 - PACKAGE PLS REFER TO 51570-XXXX-05-TRP
 - PART NUMBER

| | | | | | |
|-------------------|-----|--------------|---------------|-----------|---|
| 51570-XXX X X-XXX | | | | | |
| CKTS | XXX | HOUSING COLO | ACTUATOR COLO | BOSS | LOGO |
| PACKING | 001 | NATURAL | BLACK | WITH BOSS | HOUSING WITHOUT LOGO & ACTUATOR WITH LOGO |
| 0:TAPE&REEL | | | | | |
| 4:T&R WITH MYLAR | | | | | PLATING 1:GOLD FLASH |



| CKTS | DIMA | DIMB | DIMC | DIMD | DIME | DIMF | DIMG | DIMH | MYLAR |
|------|------|------|------|-------|------|------|------|------|-------------|
| 008 | 7.0 | 1.6 | 11.5 | 10.73 | 12.7 | 9.1 | 10.5 | 10.0 | W8T12-51570 |
| 012 | 11.0 | 5.6 | 15.5 | 14.73 | 16.7 | 13.1 | 14.5 | 14.0 | W8T12-51570 |

| | | |
|--|---|-----------------------------------|
| QUALITY SYMBOLS MAJOR Ⓢ CRITICAL Ⓢ GENERAL TOLERANCES (UNLESS SPECIFIED) X. ±0.5 .X ±0.25 .XX ±0.15 .XXX ±0.1 ANGLES ±2° | DRAWN BY Xu,Bin DATE 18/08/10 | |
| | CHECKED BY Xu, Zhi Yong DATE 18/08/10 | |
| | APPROVED BY Xu, Zhi Yong DATE 18/08/10 | SIZE A4 |
| UNITS mm | | DWG NO. 51570-XXXXX-XXX |
| SCALE 4:1 | SHEET NO. 1 OF 3 | REV G |
| | | PART NO. SEE NOTES |



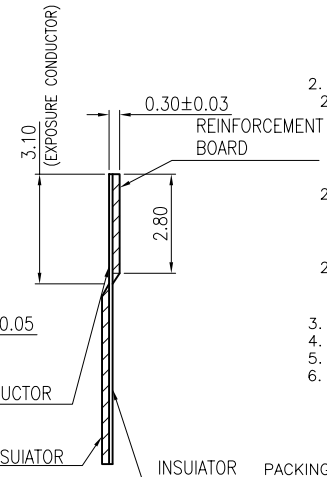
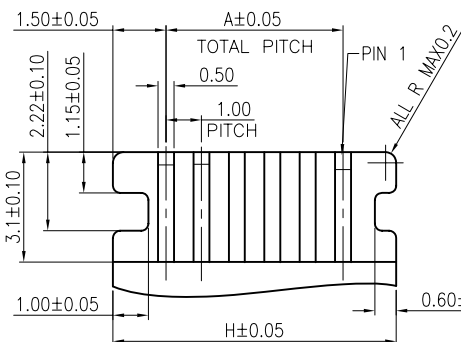
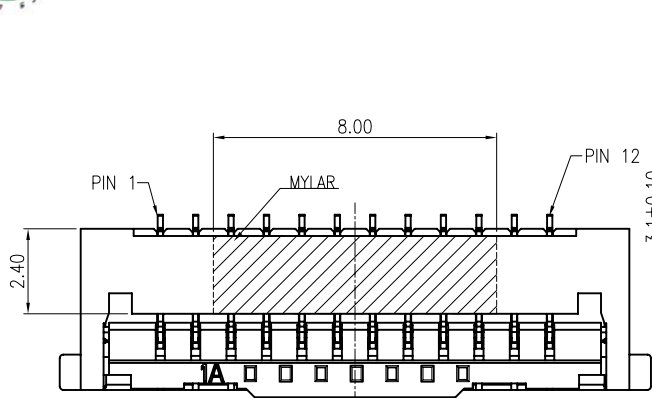
NOTES:

- MATERIAL:
 - HOUSING: THERMOPLASTIC, HIGH TEMP UL94V-0. COLOR:NATURAL.
 - ACTUATOR:THERMOPLASTIC, HIGH TEMP UL94V-0. COLOR:BLACK.
 - CONTACT: COPPER ALLOY.
 - FITTING NAIL: COPPER ALLOY.
- FINISH:
 - CONTACT AREA:
 - 50u"MIN NICKEL UNDERPLATING OVERALL
 - 1:GOLD FLASH PLATING ON CONTACT AREA
 - N:80~200u" MATT TIN PLATING ON CONTACT AREA
 - B:5u" GOLD ON CONTACT AREA
 - SOLDER AREA :
 - 50u"MIN NICKEL UNDERPLATING OVERALL
 - 1:GOLD FLASH PLATING ON SOLDER AREA
 - N:80~200u" MATT TIN PLATING ON SOLDER AREA
 - FITTING NAIL:
 - 50u"MIN NICKEL UNDERPLATING OVERALL
 - 80~150u" MATT TIN PLATING ON FITTING NAIL
- REFLOW SOLDER CAPABLE TO 260°C PER ACES SPEC.
- SPEC.PLS REFER TO PS-51503-XXXX-XXX
- PACKAGE PLS REFER TO 51570-XXXX-06-TRP
- PART NUMBER

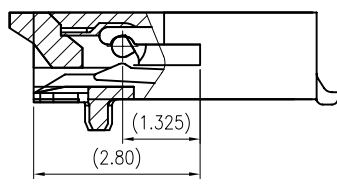
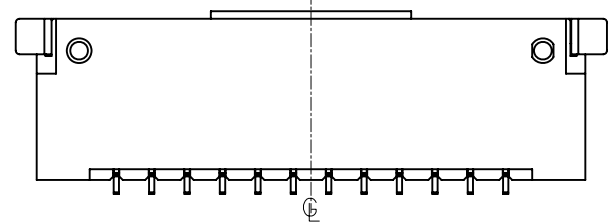
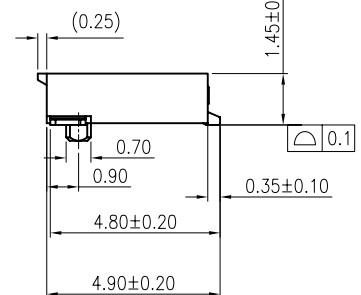
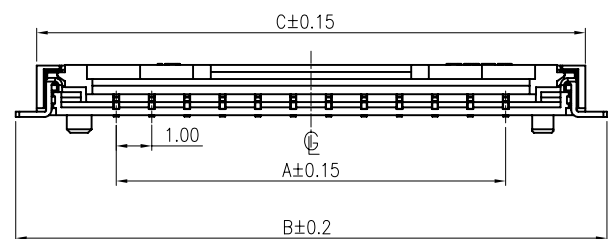
| | | | | | | | |
|-----------|---|-------|-----|------------------------|-------------------------|-----------|--------------|
| 51570-XXX | X | X-XXX | XXX | HOUSING MATERIAL&COLOR | ACTUATOR MATERIAL&COLOR | BOSS | LOGO |
| 002 | | | 002 | NATURAL | BLACK | WITH BOSS | WITHOUT LOGO |

PACKING
0:TAPE & REEL
4:T&R WITH MYLAR

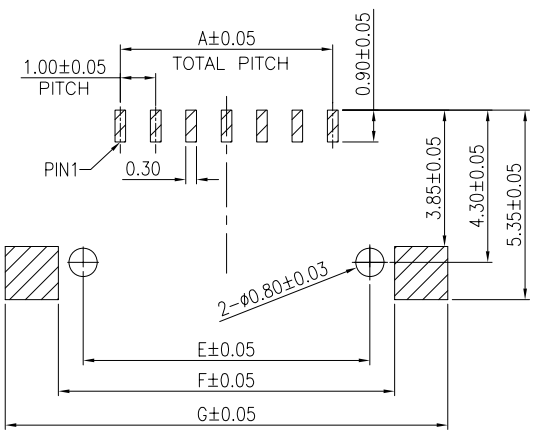
Plating
1:GOLD FLASH
N: MATT TIN(LEAD FREE)
B: 5u" GOLD ON CONTACT



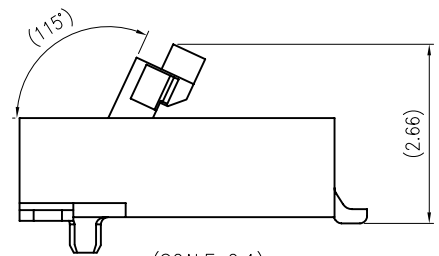
APPLICABLE FPC/FFC LAYOUT



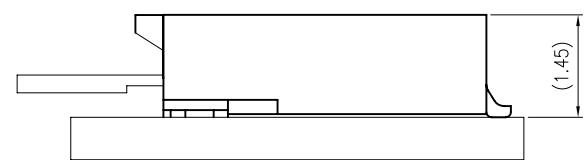
SECTION A-A
(SCALE 2:1)



RECOMMENDED PCB LAYOUT
(GENERAL TOLERANCE ±0.05)



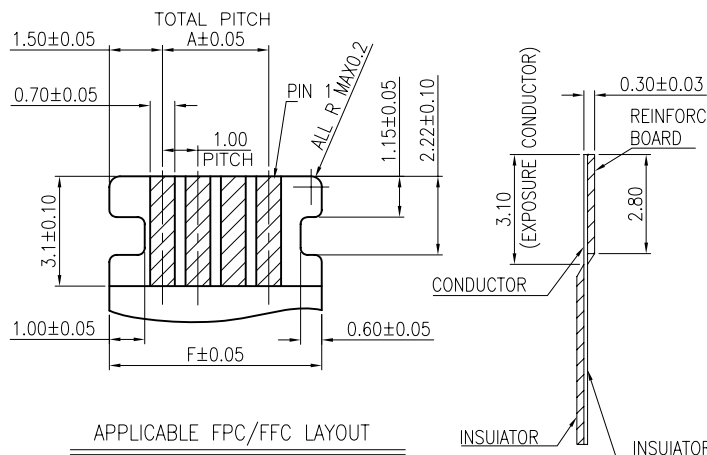
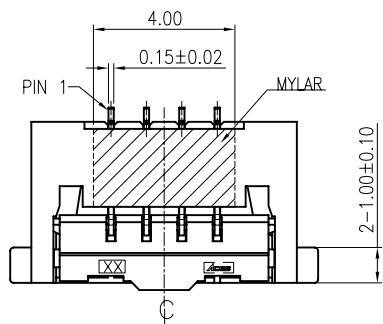
(SCALE 2:1)



(SCALE 2:1)

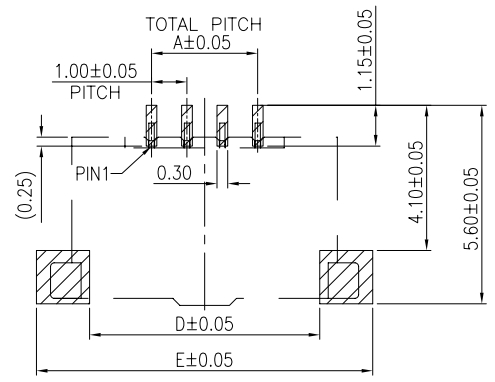
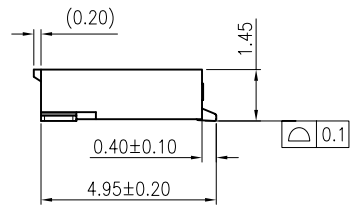
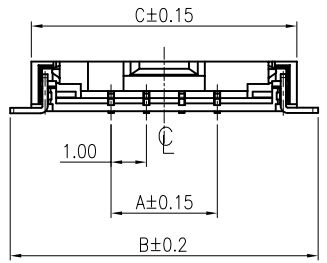
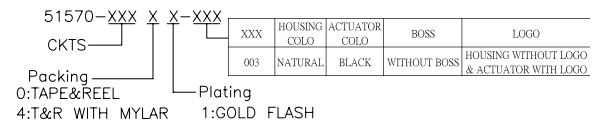
| CKTS | DIMA | DIM B | DIM C | DIM E | DIM F | DIM G | DIM H | MYLAR |
|------|------|-------|-------|-------|-------|-------|-------|-------------|
| 12 | 11.0 | 16.7 | 15.5 | 13.1 | 14.5 | 17.5 | 14.0 | W8T12-51570 |

| | | | |
|---|---|---|--|
| QUALITY SYMBOLS MAJOR Ⓢ CRITICAL Ⓢ GENERAL TOLERANCES (UNLESS SPECIFIED) X. ±0.5 .X ±0.25 .XX ±0.15 .XXX ±0.1 ANGLES ±2° | DRAWN BY Xu, Bin DATE 18/08/10 | | |
| | CHECKED BY Xu, Zhi Yong DATE 18/08/10 | | TITLE 1.0mm Pitch Easy-on FFC/FPC Conn SMT R/A B/C Type H=1.45mm |
| | APPROVED BY Xu, Zhi Yong DATE 18/08/10 | SIZE A4 DWG NO. 51570-XXXX-XXX | |
| | UNITS mm SCALE 4:1 | SHEET NO. 2 OF 3 REV G | PART NO. SEE NOTES |



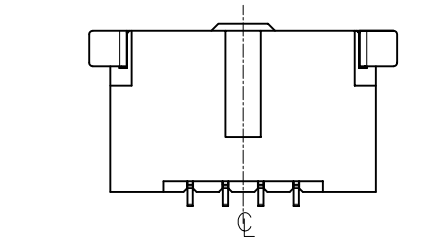
APPLICABLE FPC/FFC LAYOUT

- NOTES:
- MATERIAL:
 - HOUSING: THERMOPLASTIC, HIGH TEMP(LCP) UL94V-0. COLOR:NATURAL.
 - ACTUATOR:THERMOPLASTIC, HIGH TEMP(NYLON 6T) UL94V-0. COLOR:BLACK.
 - CONTACT: COPPER ALLOY.
 - FITTING NAIL: COPPER ALLOY
 - FINISH:
 - CONTACT AREA:
 - 50u" MIN. NICKEL UNDERPLATING OVERALL
 - 1:GOLD FLASH PLATING ON CONTACT AREA
 - SOLDER AREA:
 - 50u" MIN. NICKEL UNDERPLATING OVERALL
 - 1:GOLD FLASH PLATING ON SOLDER AREA
 - FITTING NAIL:
 - 50u" MIN. NICKEL UNDERPLATING OVERALL
 - 80u" MIN. MATT TIN PLATING ON FITTING NAIL
 - REFLOW SOLDER CAPABLE TO 260°C PER ACES SPEC.
 - SPEC.PLS REFER TO PS-51503-XXXX-XXX
 - PACKAGE PLS REFER TO 51570-XXXX-05-TRP
 - PART NUMBER

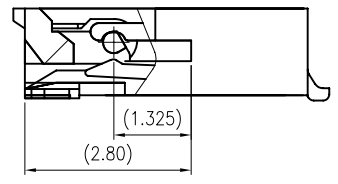


RECOMMENDED PCB LAYOUT
(GENERAL TOLERANCE ±0.05)

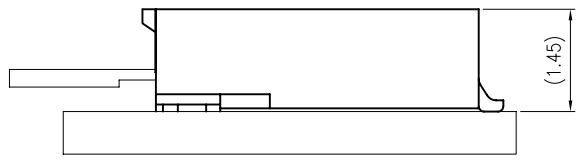
| CKTS | DIMA | DIMB | DIMC | DIMD | DIME | DIMF | MYLAR |
|------|------|------|------|------|------|------|-------------|
| 004 | 3.0 | 8.7 | 7.5 | 6.5 | 9.5 | 6.0 | W4T12-51570 |
| 008 | 7.0 | 12.7 | 11.5 | 10.5 | 13.5 | 10.0 | W8T12-51570 |



(SCALE 2:1)



SECTION A-A
(SCALE 2:1)



(SCALE 2:1)

| | | |
|---|---|--|
| QUALITY SYMBOLS MAJOR Ⓢ CRITICAL Ⓢ GENERAL TOLERANCES (UNLESS SPECIFIED) X. ±0.5 .X ±0.25 .XX ±0.15 .XXX ±0.1 ANGLES ±2° | DRAWN BY Xu, Bin DATE 18/08/10 | |
| | CHECKED BY Xu, Zhi Yong DATE 18/08/10 | |
| | APPROVED BY Xu, Zhi Yong DATE 18/08/10 | SIZE A4 DWG. NO. 51570-XXXX-XXX |
| | UNITS mm SCALE 4:1 | SHEET NO. 3 OF 3 REV G PART NO. SEE NOTES |