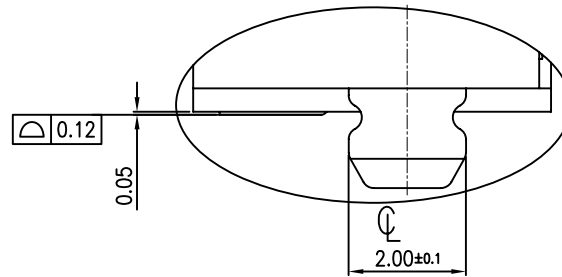
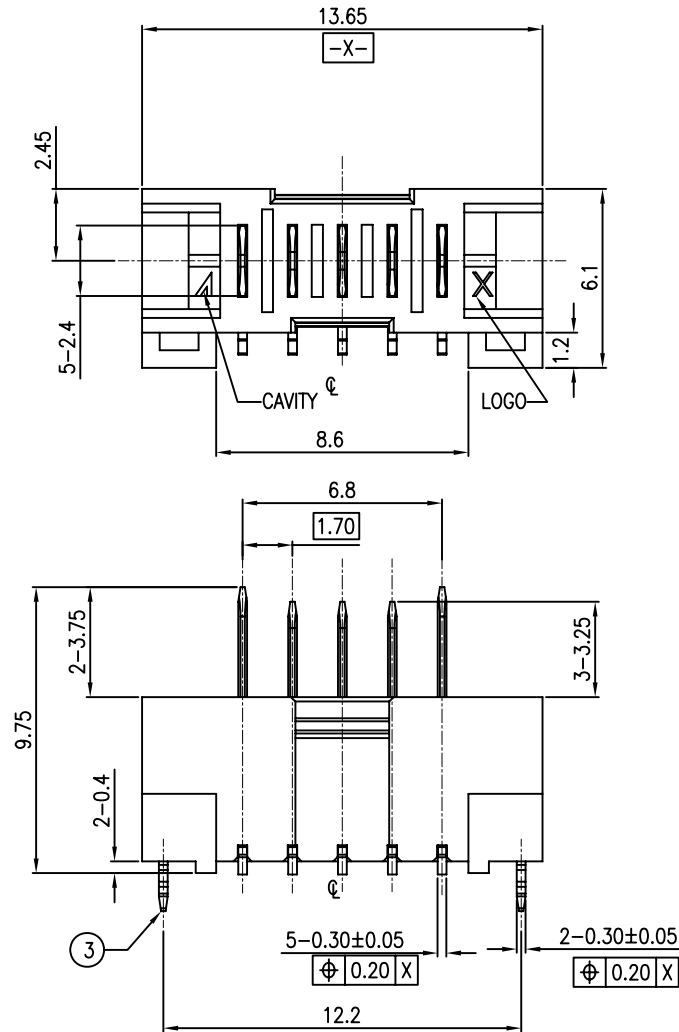




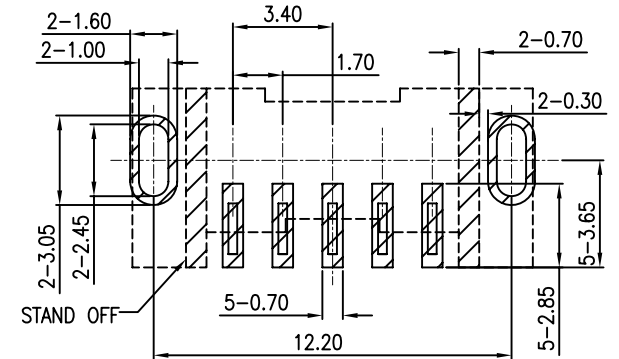
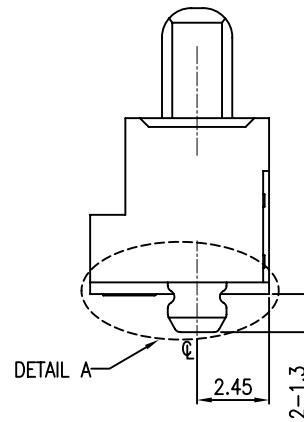
NOTES:

1. MATERIAL:
 - 1.1 HOUSING: THERMOPLASTIC, HIGH TEMP. UL94 V-0;COLOR:BLACK.
 - 1.2 CONTACT: COPPER ALLOY
2. FINISH:
 - 2.1 CONTACT:
 - 1:GOLD FLASH PLATING ON CONTACT AREA 50u"MIN. NICKEL UNDER PLATING
 - 2: Fitting Nail: 50u"MIN. MATTE TIN PLATED OVERALL, 50u"MIN. NICKEL UNDERPLATING OVERALL.
 3. REFLOW SOLDER CAPABLE TO 260°C PER ACES SPEC.
 4. SPEC. PLS. REFER TO PS-54969-xxxx-xxx
 5. PACKAGE PLS. REFER TO 54970-xxxx-xx-TRP
 6. PART NUMBER: 54970-XXX X X-XXX

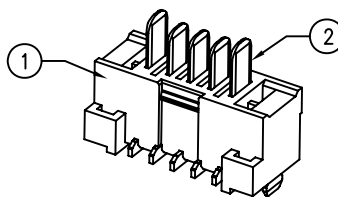
NO OF CKT: 005:5PIN
 PACKING: _____ PLATING: 2: GOLD FLASH
 0: TAPE & REEL WITH OUT COVER



DETAIL A
SCALE 8:1



RECOMMEND P.C.B. LAYOUT THICKNESS=0.80mm
 TOLERANCE:±0.05mm



QUALITY SYMBOLS MAJOR CRITICAL GENERAL TOLERANCES (UNLESS SPECIFIED) X ±0.5 .X ±0.25 .XX ±0.15 .XXX ±0.1 ANGLES ±2°	DRAWN BY Liu,Hua CHECKED BY APPROVED BY Xu,ZhiYong	DATE 18/08/24 DATE DATE 18/08/24	 ACES ELECTRONICS TITLE BATTERY 1.7MM PITCH MALE CONN. T/H S/R S/T TYPE H=9.75mm
	UNITS mm SCALE 1:1	 SIZE A4 SHEET NO. 1 OF 1	