

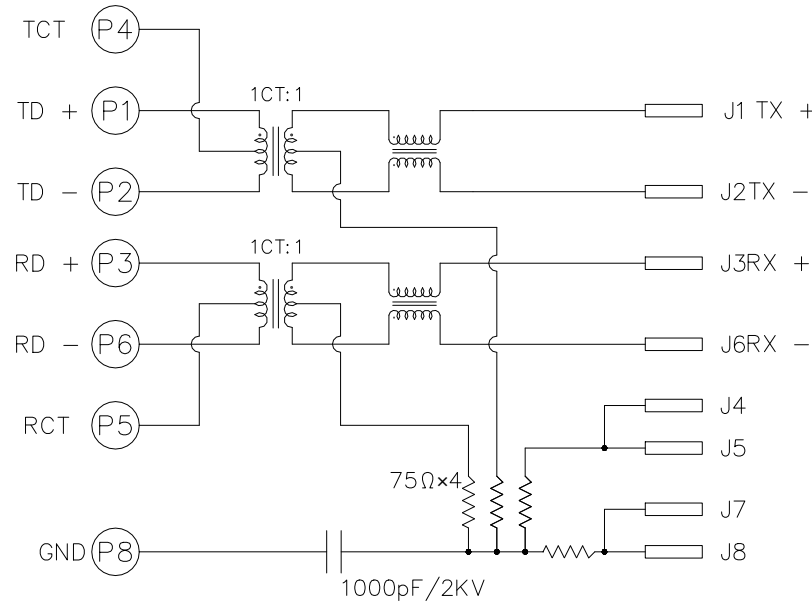
NOTES:

- Shield- 0.20mm Thickness Brass C2680H
Plating Nickel 20u" min
- Housing- Plastic:FR52 Glass Fiber Filled
UL94V-0 , Color Black.
- Contact Pin- Plastic:FR52 Glass Fiber Filled
UL94V-0 , Color Black.
Pin:0.35mm Thickness Phosphor Bronze C5210 EH.
Plating:Nickel 40u"~60u" For All And Sn 100u" min.
And Gold Plating 6u" .
- InsertPin- Plastic:FR52 Glass Fiber Filled
UL94V-0 , Color Black.
Pin:0.35mm Thickness Brass C2680H.
Plating:Sn 100u" min. All Over 40u"~60u" Nickel



GENERAL TOLERANCE X± .X± 0.30 .XX± 0.20 .XXX± 0.10	ANGLE TOLERANCE X°± 5.0°	DRAWN Hill	DATE 05/17/22		
MATL SEE BOM	FINISH SEE BOM	CHECKED	DATE		TITLE: RJ45,1x1,Tab Up,Mid-Plane W/o LED W/SHIELD ,10/100M
SCALE N/A	UNIT mm	APPROVED	DATE	PART NUMBER: 201-10194-01	
SHEET 1 OF 3				DRAWING NO. 201-10194	SIZE A4 REV. A

Schematic:



Feature:

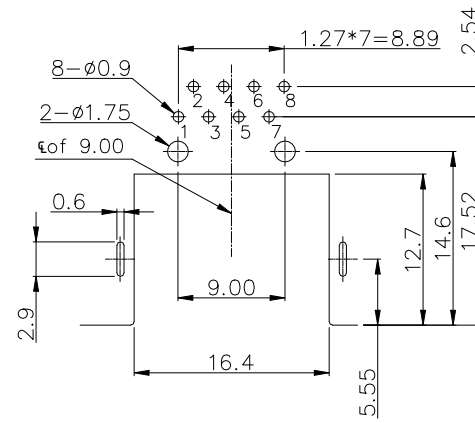
- .Operating temperature: 0°C to +70°C
- .Storage temperature: -40°C to +85°C

Electrical Specifications: (25°C)

- Turns Ratio: @100KHz, 0.1V
P1-P2: J1-J2 = 1:1±5%
P3-P6: J3-J6 = 1:1±5%
- OCL: @100KHz, 0.1V, 8mA DC BAIS: 350uH Min
- Insertion Loss:
@1~100MHz : -1.0dB Max
- Return Loss:
@1~30MHz : -18dB Min
@30~60MHz : -16dB Min
@60~80MHz : -12dB Min
@80~100MHz : -10dB Min
- Crosstalk: @1~100MHz : -30dB Min
- Common Mode Rejection:
@1~100MHz : -30dB Min
- Hi-Pot: INPUT TO OUTPUT 1500VAC, 1mA, 60S
- RoHS Compliance: YES



GENERAL TOLERANCE X± .X± 0.30 .XX± 0.20 .XXX± 0.10	ANGLE TOLERANCE X°± 5.0°	DRAWN Hill	DATE 05/17/22		TITLE: RJ45, 1x1, Tab Up, Mid-Plane W/o LED W/SHIELD , 10/100M
MATL SEE BOM	FINISH SEE BOM	CHECKED	DATE		PART NUMBER: 201-10194-01
SCALE N/A	UNIT mm	APPROVED	DATE	DRAWING NO. 201-10194	SIZE A4
SHEET 2 OF 3				REV. A	



RECOMMENDED PCB LAYOUT
TOLERANCE $\pm 0.05\text{mm}$ (T=1.6mm)



GENERAL TOLERANCE X± .X± 0.30 .XX± 0.20 .XXX± 0.10	ANGLE TOLERANCE X°± 5.0°	DRAWN Hill	DATE 05/17/22'		
MATL SEE BOM	FINISH SEE BOM	CHECKED	DATE		TITLE: Rj45, 1x1, Tab Up, Mid-Plane W/o LED W/SHIELD, 10/100M
SCALE N/A	UNIT mm	APPROVED	DATE	PART NUMBER: 201-10194-01	
SHEET 3 OF 3				DRAWING NO. 201-10194	SIZE A4 REV. A