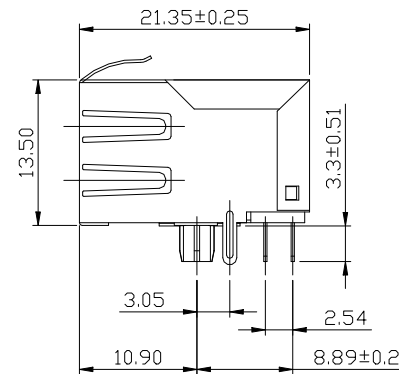
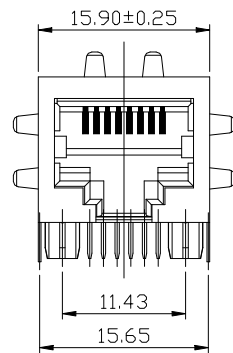


REV.	ECN. NO.	DESCRIPTION	ENG	DATE
A		INITIAL	Hill	04/08/22'



Mechanical:

1. Housing Material: PA66,UL94V-0,YELLOW(114C)
2. Contact Material: C5210EH T=0.3mm
3. 6U" Gold Plating Contact Area,30U" NI. UNDER PLATED
4. Solder Material: C5191H T=0.3mm
5. All over 150u" min Sn, All over Ni.30~80u"
6. Shield Material: Brass C2680H .T=0.2mm,30U" NI PLATED

Environmental:

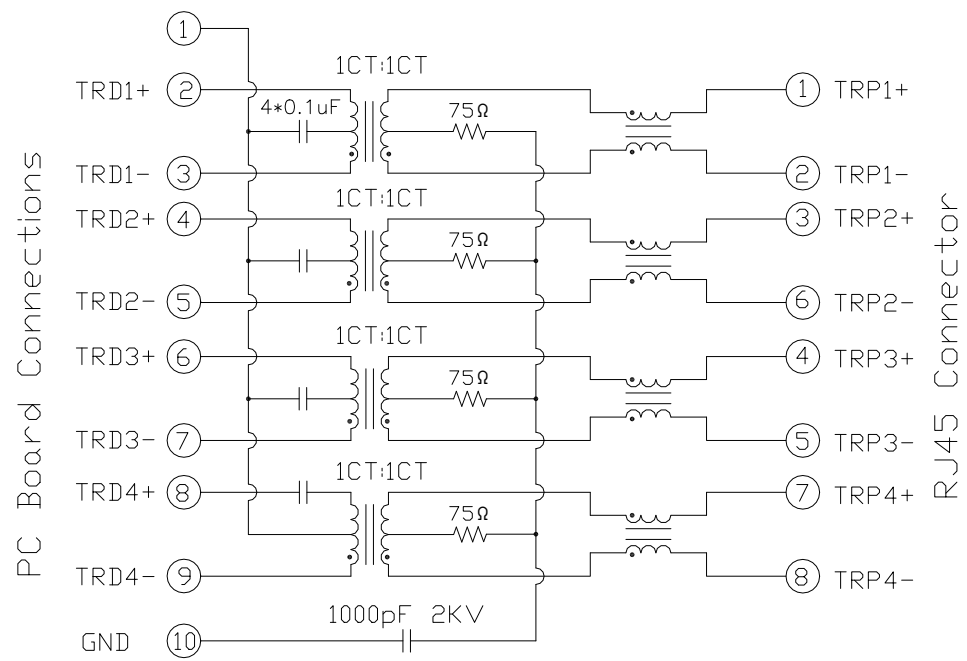
1. Storage:-40°C To+85°C.
  2. Operation:0°C To+70°C.
  3. Wave Soldering Temperature:255~265°C(5~10S)HIGH TEMP.
- Mates With Modular Plug Conforming To TIA-1096-A



GENERAL TOLERANCE	ANGLE TOLERANCE	DRAWN	DATE		TITLE: RJ45 1*1 W/Shell W/SPRING W/o LED 1000M
.0 ± 0.20 .00 ± 0.15 .000 ± 0.10	ANGLE 3.°	Hill	04/08/22'		
MATL SEE BOM		CHECKED	DATE	PART NUMBER: 201-10192-01	
FINISH SEE BOM		APPROVED	DATE	DRAWING NO. 201-10192	
SCALE N/A	UNIT mm	Hill	04/08/22'	SIZE A4	REV. A
SHEET 1 OF 3					

REV.	ECN. NO.	DESCRIPTION	ENG	DATE
A		INITIAL	Hill	04/08/22'

### SCHEMATIC:



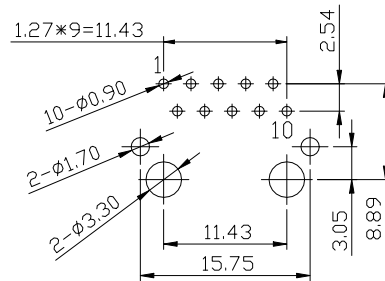
### Electrical Specifications:

1. Inductance At 100KHz, 100mV, 8mA DC Bias: 350uH Min.
2. Leakage Inductance: 0.4uH Max. @ 100KHz 100mV
3. Insertion Loss: 1.1 dB Max. @ 1-100 MHz
4. Return Loss: 18dB Min. @ 1-30MHz  
16dB Min. @ 30-60MHz  
12dB Min. @ 60-80MHz
5. Cross Talk: 30dB Min. @ 1-100MHz
6. Common Mode Rejection: 30dB Min. @ 1-100MHz
7. Isolation Voltage @ 60Hz: 1500Vrms (Input To Output) 60S



GENERAL TOLERANCE	ANGLE TOLERANCE	DRAWN	DATE	
.0 ± 0.20 .00 ± 0.15 .000 ± 0.10	ANGLE 3.°	Hill	04/08/22'	
MATL	SEE BOM	CHECKED	DATE	TITLE: RJ45 1*1 W/Shell W/SPRING W/o LED 1000M
FINISH	SEE BOM	APPROVED	DATE	PART NUMBER: 201-10192-01
SCALE	N/A	Hill	04/08/22'	DRAWING NO.: 201-10192
SHEET	2 OF 3			SIZE A4 REV. A

REV.	ECN. NO.	DESCRIPTION	ENG	DATE
A		INITIAL	Hill	04/08/22'



PCB Layout T=1.60mm  
Component Side Shown



GENERAL TOLERANCE	ANGLE TOLERANCE	DRAWN	DATE	
.0 ± 0.20 .00 ± 0.15 .000 ± 0.10	ANGLE 3.°	Hill	04/08/22'	
MATL	SEE BOM	CHECKED	DATE	TITLE: RJ45 1*1 W/Shell W/SPRING W/o LED 1000M
FINISH	SEE BOM	APPROVED	DATE	PART NUMBER: 201-10192-01
SCALE N/A	UNIT mm	Hill	04/08/22'	DRAWING NO. 201-10192
SHEET 3 OF 3				SIZE A4 REV. A