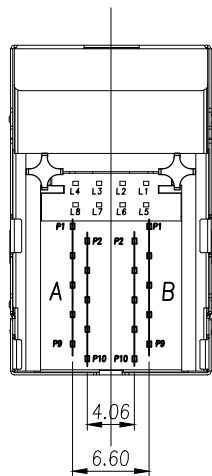
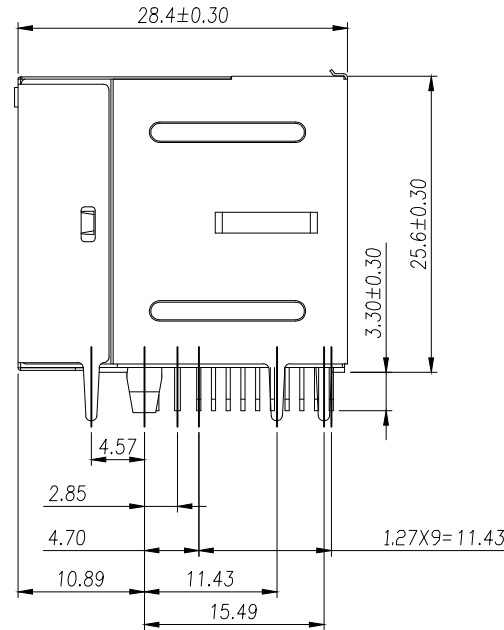
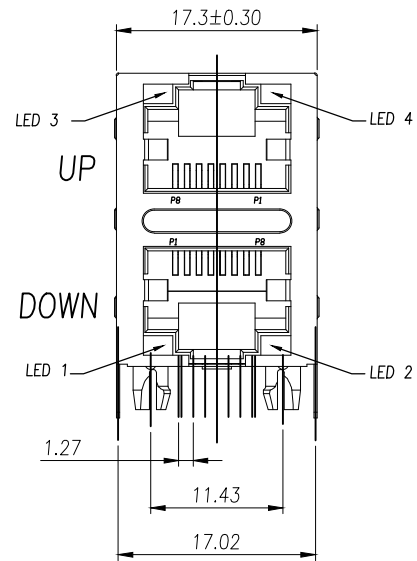


PROPRIETARY INFORMATION  
COMPANY CONFIDENTIAL

REV.	ECN. NO.	DESCRIPTION	ENG	DATE
A		INITIAL	Hill	11/15/21'



Mechanical:

1. Housing Material : PBT,UL94V-0,Black
2. Contact Material : Phosphor Bronze T=0.30mm
3. Plating : Gold Flash Plating Over 30u" Nickel.
4. Operating Life : 750 Cycles Min.
5. Shield Material :T=0.20mm, BRASS Plating Nickel.

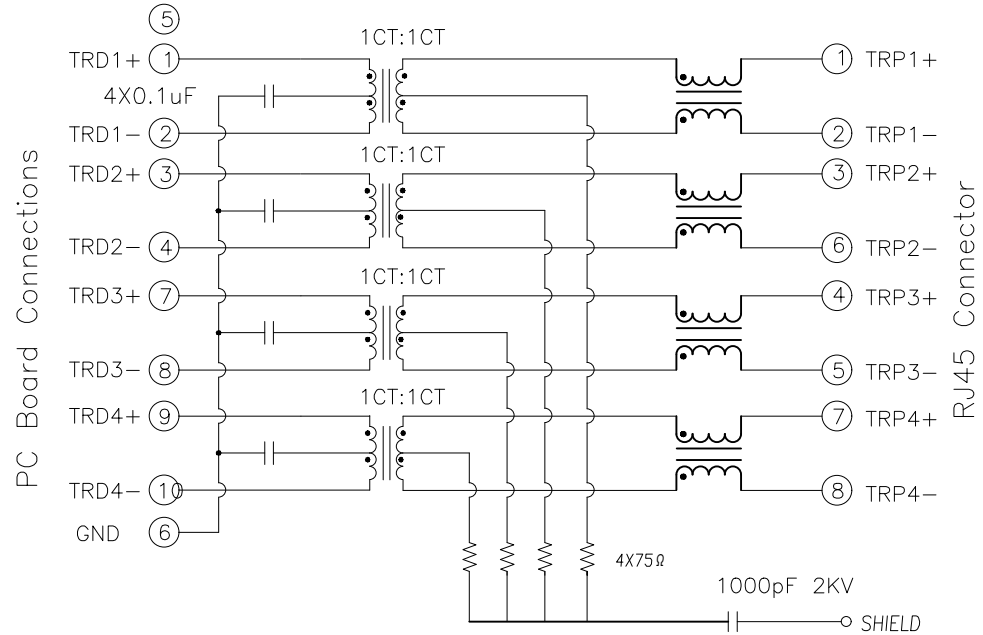
Environmental:

1. Storage: -40°C TO +85°C.
  2. Operation: -40°C TO +85°C.
  3. Wave Soldering Temperature:255~265°C (5~10 Seconds)
- Mates With Modular Plug Conforming To TIA-1096-A



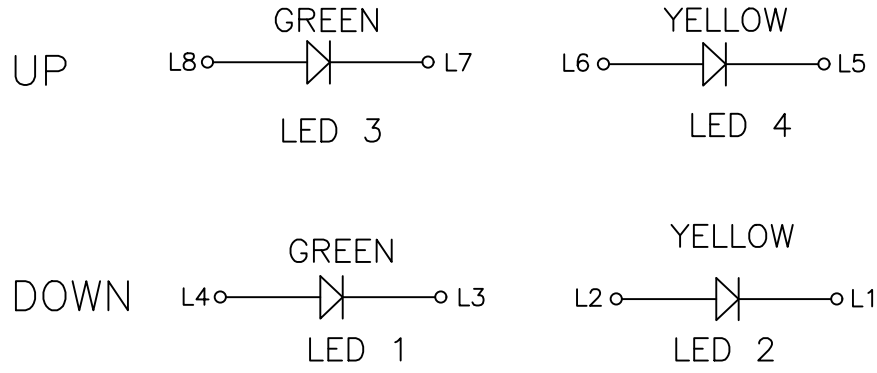
GENERAL TOLERANCE X ± .X ± 0.20 .XX ± 0.15 .XXX ± 0.10	ANGLE TOLERANCE ± 5.0°	DRAWN Hill	DATE 11/15/21'	 <b>GENESIS</b> TECHNOLOGY, INC. TITLE. 2X1 RJ45 1000M W/LEDs DIP	
MATL SEE BOM	FINISH SEE BOM	CHECKED	DATE		PART NUMBER. 201-10188-01
SCALE N/A	UNIT mm	APPROVED Hill	DATE 11/15/21'	DRAWING NO. 201-10188	SIZE A4 REV. A
SHEET 1 OF 3					

REV.	ECN. NO.	DESCRIPTION	ENG	DATE
A		INITIAL	Hill	11/15/21'



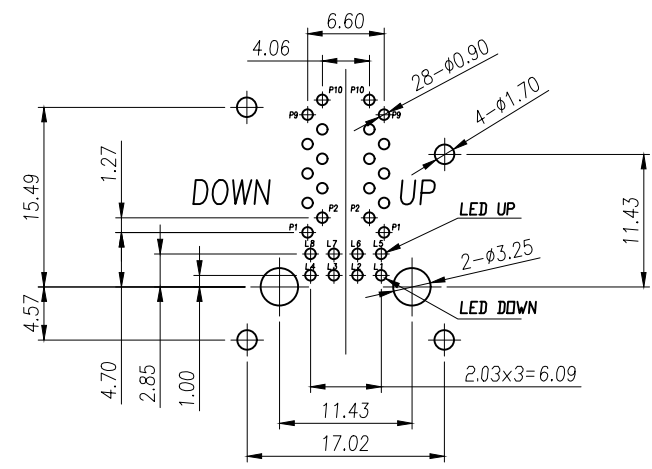
Electrical Specifications:

1. Inductance @100KHz,100mV 8mADC Bias:350uH Min.
2. Leakage Inductance:0.3 uH Max. @100KHz 100mV
3. Insertion Loss: 1.1 dB Max. @ 1-100 MHz
4. Return Loss:
  - 18dB Min. @ 1-30 MHz
  - 16dB Min. @ 30-60 MHz
  - 12dB Min. @ 60-80 MHz
  - 10dB Min. @ 80-100 MHz
5. Cross Talk: 1-100MHz 30dB Min.
6. Common Mode Rejection: 30dB Min. @1-100MHz



GENERAL TOLERANCE X ± .X ± 0.20 .XX ± 0.15 .XXX ± 0.10		ANGLE TOLERANCE ± 5.0°		DRAWN Hill 11/15/21'		 TITLE: 2X1 RJ45 1000M W/LEDs DIP		
MATL SEE BOM		FINISH SEE BOM		CHECKED DATE				PART NUMBER: 201-10188-01
SCALE N/A		UNIT mm		APPROVED Hill 11/15/21'		DRAWING NO. 201-10188		SIZE A4 REV. A
SHEET 2 OF 3								

REV.	ECN. NO.	DESCRIPTION	ENG	DATE
A		INITIAL	Hill	11/15/21'



PC Board Layout  
Component Side Shown



GENERAL TOLERANCE X ± .X ± 0.20 .XX ± 0.15 .XXX ± 0.10		ANGLE TOLERANCE ± 5.0°	DRAWN Hill	DATE 11/15/21'	 <b>TITLE.</b> 2X1 RJ45 1000M W/LEDs DIP
MATL SEE BOM		CHECKED		DATE	
FINISH SEE BOM		APPROVED Hill		DATE 11/15/21'	<b>DRAWING NO.</b> 201-10188
SCALE N/A	UNIT mm	SHEET 3 OF 3			<b>SIZE</b> A4 <b>REV.</b> A