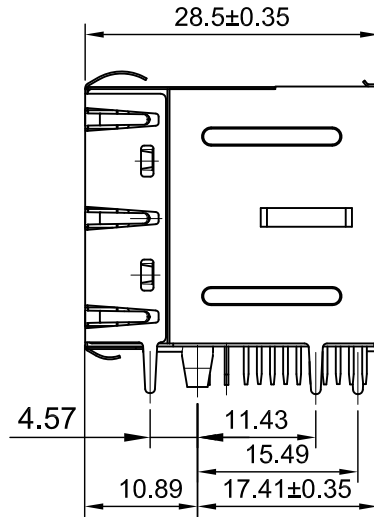
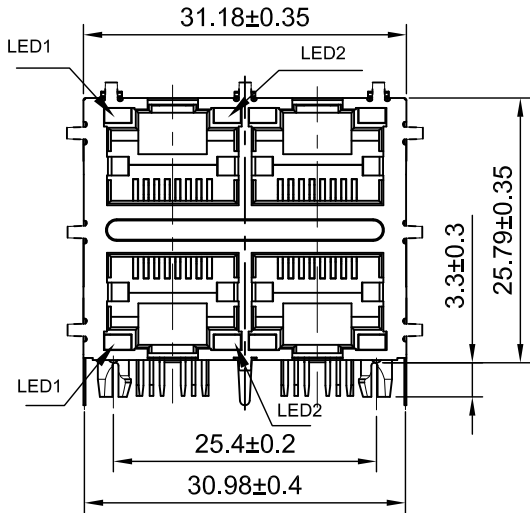


PROPRIETARY INFORMATION
COMPANY CONFIDENTIAL

REV.	ECN. NO.	DESCRIPTION	ENG	DATE
A		INITIAL	Hill	9/8/20



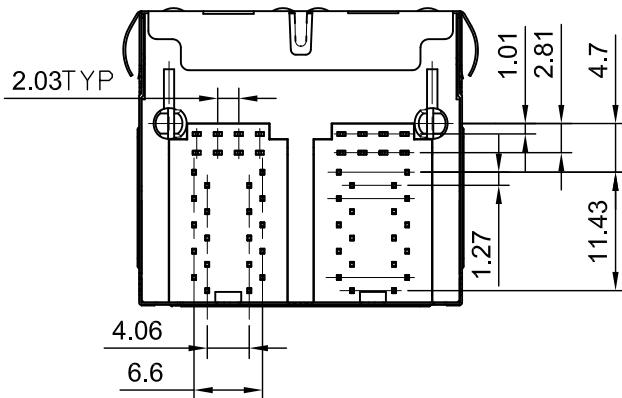
Mechanical:

1. Housing Material: PA66+30%GF, BK.. UL94V-0
2. Insert Material: PA66+30%GF, BK.. UL94V-0
3. Contact Material: Phosphor Bronze, C5210, $t=0.3$ mm.
4. Plating: 1μ "gold Plating on Contact Area 100μ "min. Tin on Solder Area 30μ "~ 80μ " Nickel under-plating
5. Shield Material: Brass C2680 .T= 0.2 mm, 30μ "~ 80μ " Nickel Plating
6. Operating Life: 750 Cycles Min.

Environmental:

1. Storage Temperature: -40°C To $+85^{\circ}\text{C}$.
2. Operation Temperature : 0°C To $+85^{\circ}\text{C}$.
3. Soldering Temperature: $255\sim 265^{\circ}\text{C}$ (5~10 Seconds)

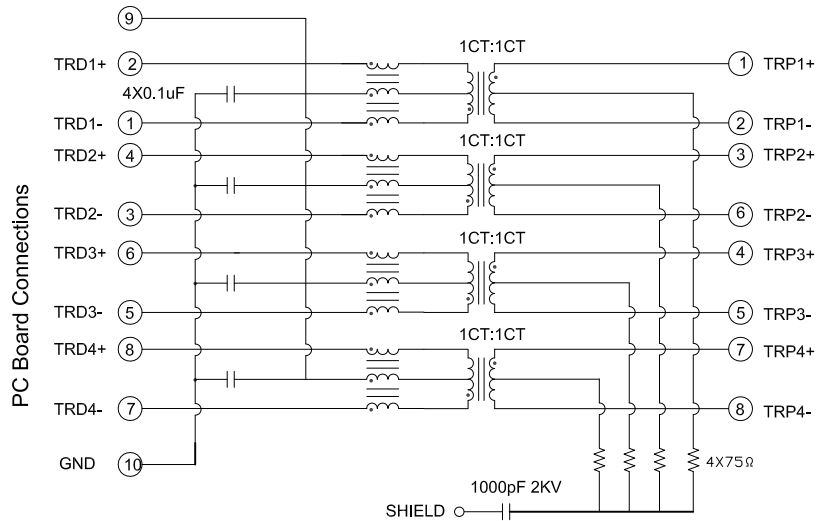
Mates With Modular Plug Conforming To TIA-1096-A



GENERAL TOLERANCE	ANGLE TOLERANCE	DRAWN	DATE	GENESIS TECHNOLOGY, INC.	
.x: ± 0.20 .xx: ± 0.15 .xxx: ± 0.10	X' $\pm 2.0^{\circ}$.X' $\pm 1.0^{\circ}$	Hill	9/8/20	TITLE: RJ45 Connector With Transformer Giga 2x2 Port with LED	
MATL SEE BOM		CHECKED	DATE	PART NUMBER: 201-10173-01	
FINISH SEE BOM		APPROVED	DATE	DRAWING NO.	SIZE A4
SCALE N/A	UNIT mm	Hill	9/8/20	201-10173	REV. A
SHEET 1 OF 3					

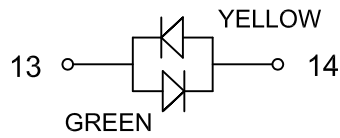
REV.	ECN. NO.	DESCRIPTION	ENG	DATE
A		INITIAL	Hill	9/8/20

Schematic

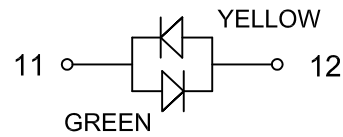


Electrical Specifications:

1. Inductance At 100 KHz, 100 mV 8mADC Bias: 350 uH Min.
2. Leakage Inductance 0.4 uH Max. @100KHz 100mV
3. Insertion Loss: 1.1 dB Max. @ 1-100 MHz
4. Return Loss:
 - 18dB Min. @ 1-30MHz
 - 16dB Min. @ 30-60MHz
 - 12dB Min. @ 60-80MHz
5. Cross Talk: 30dB Min. @ 1-100MHz
6. Common Mode Rejection: 30dB Min. @1-100MHz
7. Isolation Voltage @60Hz:1500Vrms(Input To Output) 60 Seconds



LED 1

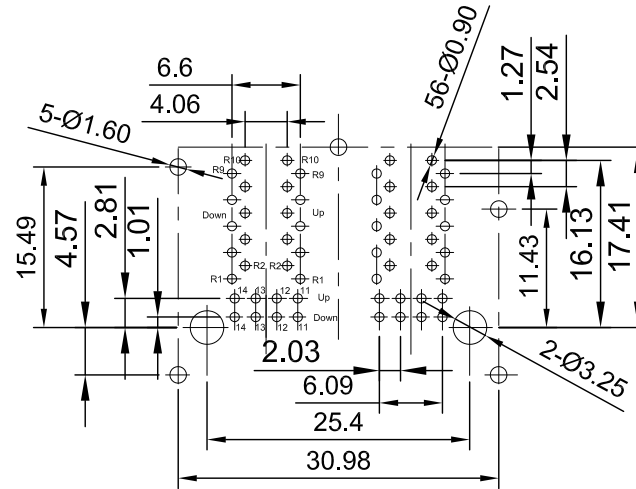


LED 2




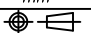
GENERAL TOLERANCE	ANGLE TOLERANCE	DRAWN	DATE	GENESIS TECHNOLOGY, INC.	
.x:±0.20 .xx:±0.15 .xxx:±0.10	X'± 2.0° .X'± 1.0°	Hill	9/8/20	TITLE: RJ45 Connector With Transformer Giga 2x2 Port with LED	
MATL SEE BOM		CHECKED	DATE	PART NUMBER: 201-10173-01	
FINISH SEE BOM		APPROVED	DATE	DRAWING NO.	SIZE A4
SCALE N/A	UNIT mm	Hill	9/8/20	201-10173	REV. A
SHEET 2 OF 3					

REV.	ECN. NO.	DESCRIPTION	ENG	DATE
A		INITIAL	Hill	9/8/20



PC Board Layout
Component Side Shown



GENERAL TOLERANCE .x:±0.20 .xx:±0.15 .xxx:±0.10	ANGLE TOLERANCE X'± 2.0° .X'± 1.0°	DRAWN Hill	DATE 9/8/20	 GENESIS <small>TECHNOLOGY, INC.</small>	
MATL SEE BOM	FINISH SEE BOM	CHECKED	DATE		TITLE RJ45 Connector With Transformer Giga 2x2 Port with LED
SCALE N/A	UNIT mm	APPROVED Hill	DATE 9/8/20	PART NUMBER 201-10173-01	
SHEET 3 OF 3				DRAWING NO. 201-10173	SIZE A4 REV. A