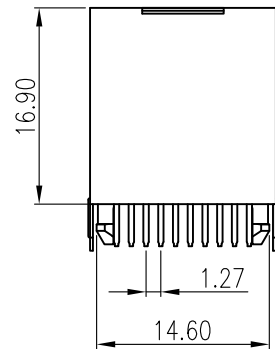
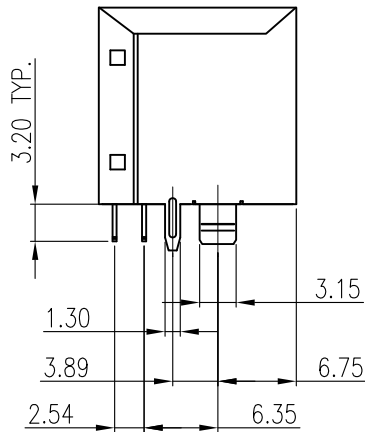
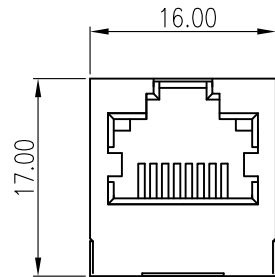


PROPRIETARY INFORMATION
COMPANY CONFIDENTIAL

REV.	ECN. NO.	DESCRIPTION	ENG	DATE
A		INITIAL	Hill	03/10/20'



Mechanical:

1. Housing Material: PBT BK.. UL94V-0
2. Insert Material: PBT BK. UL94V-0
3. Contact Material: Phosphor Bronze t=0.35mm.
4. Plating: Contact Area-Gold 15u" Plating.
5. Shield Material: Brass C2680 .T=0.2mm
6. Operating Life: 750 Cycles Min.

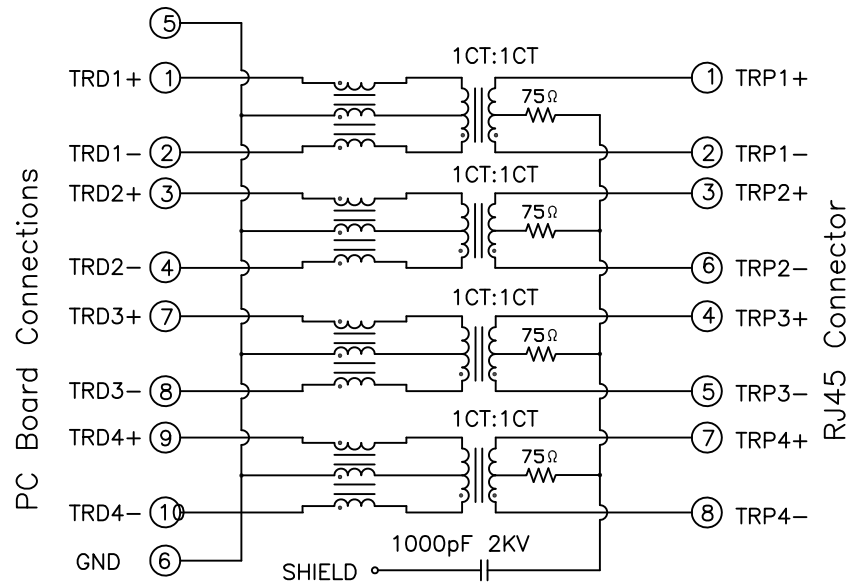
Environmental:

1. Storage temperature: -40°C To +85°C.
 2. Operation temperature: -40°C To +85°C.
 3. Soldering Temperature: 255~265°C (5~10 Seconds)
- Mates With Modular Plug Conforming To TIA-1096-A



GENERAL TOLERANCE X± .X± 0.20 .XX± 0.15 .XXX± 0.10	ANGLE TOLERANCE X'± 5.0°	DRAWN Hill	DATE 03/10/20'		
MATL SEE BOM	FINISH SEE BOM	CHECKED	DATE		TITLE RJ45,1x1,Vertical, W/o LED W/SHIELD ,Giga
SCALE N/A	UNIT mm	APPROVED Hill	DATE 03/10/20'	PART NUMBER. 201-10163-01	
SHEET 1 OF 3				DRAWING NO. 201-10163	SIZE A4 REV. A

Schematic:



Electrical Specifications:

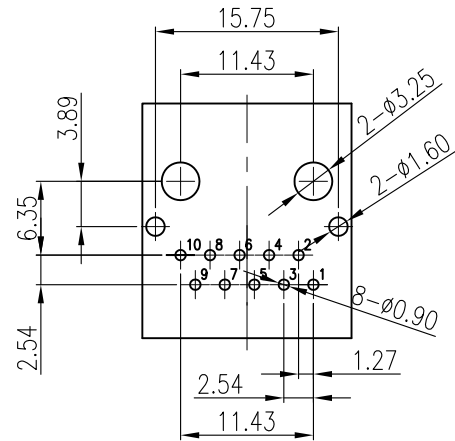
1. Inductance At 100 KHz, 100 mV 8mADC Bias: 350 uH Min.
2. Leakage Inductance 0.4 uH Max. @100KHz 100mV
3. Insertion Loss: 1.1 dB Max. @ 1-100 MHz
4. Return Loss: 18dB Min. @1-30MHz
16dB Min. @ 30-60MHz
12dB Min. @ 60-80MHz
5. Cross Talk: 1-100MHz 30dB Min.
6. Common Mode Rejection: 30dB Min. @1-100MHz
7. Isolation Voltage @ 60Hz:
1500Vrms(Input To Output) 60 Seconds



GENERAL TOLERANCE X± .X± 0.25 .XX± 0.15 .XXX± 0.05	ANGLE TOLERANCE X'± 5.0°	DRAWN Hill	DATE 03/10/20'	
MATL SEE BOM	FINISH SEE BOM	CHECKED	DATE	
SCALE N/A	UNIT mm	APPROVED Hill	DATE 03/10/20'	PART NUMBER: 201-10163-01
SHEET 2 OF 3				DRAWING NO. 201-10163
				SIZE A4 REV. A

PROPRIETARY INFORMATION
COMPANY CONFIDENTIAL

REV.	ECN. NO.	DESCRIPTION	ENG	DATE
A		INITIAL	Hill	03/10/20'



RECOMMENDED PCB LAYOUT
TOL:1.2±0.05(JACK TOP VIEW)



GENERAL TOLERANCE X± .X± 0.20 .XX± 0.15 .XXX± 0.10	ANGLE TOLERANCE X'± 5.0°	DRAWN Hill	DATE 03/10/20'		
MATL SEE BOM	FINISH SEE BOM	CHECKED	DATE		TITLE: RJ45,1x1,Vertical, W/o LED W/SHIELD ,Giga
SCALE N/A	UNIT mm	APPROVED Hill	DATE 03/10/20'	PART NUMBER: 201-10163-01	
SHEET 3 OF 3				DRAWING NO. 201-10163	SIZE A4 REV. A