

PROPRIETARY INFORMATION  
COMPANY CONFIDENTIAL

REV.	ECN. NO.	DESCRIPTION	ENG	DATE
A		INITIAL	Hill	08/27/18'

**NOTES:**

**ELECTRICAL:**

- VOLTAGE RATING : 125 VAC RMS.
- CURRENT RATING : 15 AMP.
- CONTACT RESISTANCE : 45 MILLIOHMS MAX.
- INSULATION RESISTANCE : 1000 MEGOHMS MIN. @ 500 VDC.
- DIELECTRIC STRENGTH : 1000 VAC RMS 60Hz, 1MIN.

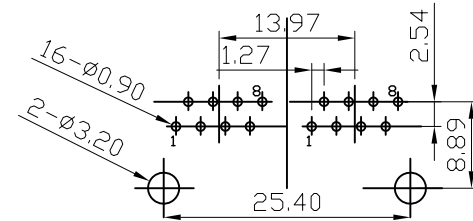
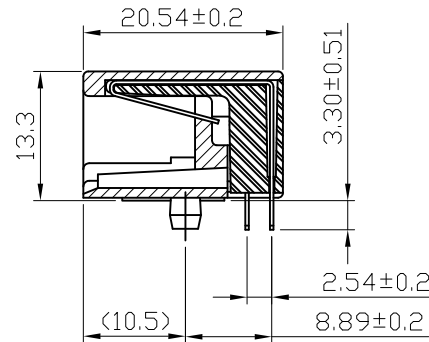
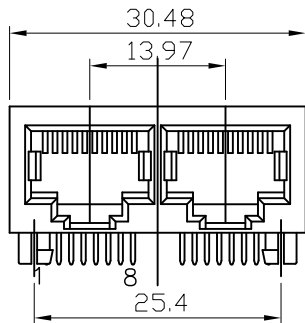
**MECHANICAL:**

- HOUSING MATERIAL : PA66+30%GF, UL94V-0.
- CONTACT MATERIAL : PHOSPHOR BRONZE t=0.35 mm.
- PLATING : GOLD FLASH OVER 50U" NICKEL.
- OPERATING LIFE : 750 CYCLES MIN.
- PCB RETENTION PRE-SOLDER : 1 LB MIN.
- PCB RETENTION POST-SOLDER : 10 LBS MIN.

**ENVIRONMENTAL:**

- STORAGE : -40°C TO +85°C.
- OPERATION : 0°C TO +70°C.

MATES WITH MODULAR PLUG CONFORMING TO TIA-1096-A.



**PC Board Layout  
Component Side Shown**

Frequency MHz	Near-End Cross Talk dB, Min.	Return Loss dB, Min.	Attenuation dB, Max.
1.0	65	30	0.1
4.0	65	30	0.1
8.0	64.9	30	0.1
10.0	63	30	0.1
16.0	58.9	30	0.2
20.0	57	30	0.2
25.0	55	30	0.2
31.25	53.1	30	0.2
62.5	47.1	24.1	0.3
100.0	43	20	0.4



GENERAL TOLERANCE X ± .X ± 0.20 .XX ± 0.15 .XXX ± 0.10	ANGLE TOLERANCE X° ± 5° .X° ± 5° .XX° ± .XXX° ±	DRAWN Hill	DATE 08/27/18'	
MATL SEE BOM	FINISH SEE BOM	CHECKED	DATE	
SCALE 1/A	UNIT mm	APPROVED Hill	DATE 08/27/18'	PART NUMBER 200-10131-01
SHEET 1 OF 1				DRAWING NO. 200-10131
				SIZE A4
				REV. A