

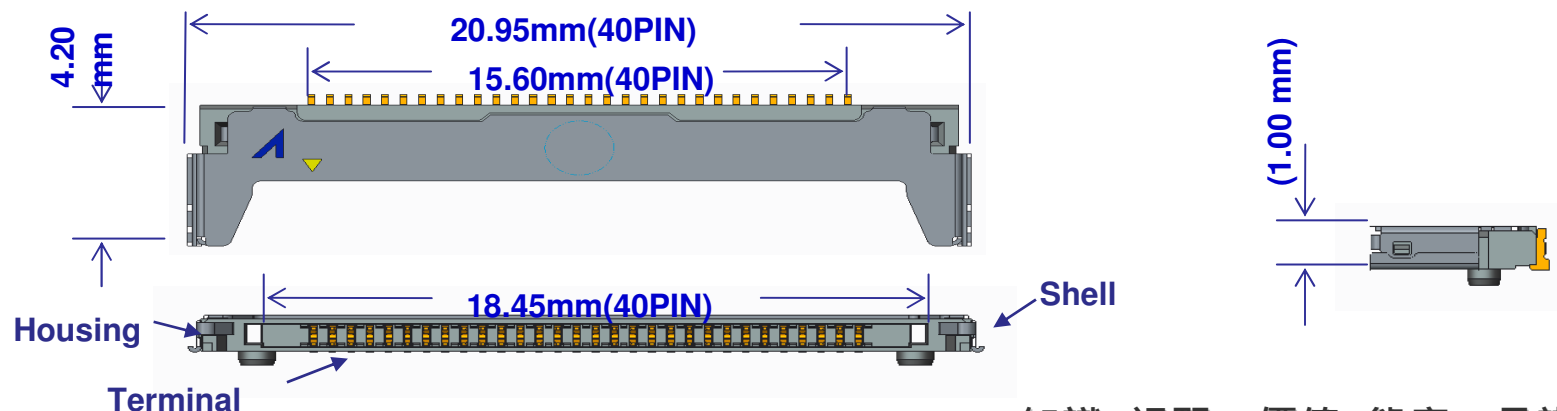
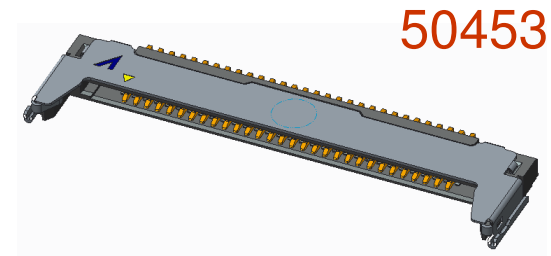


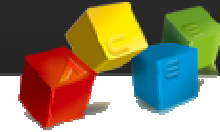
Product Release/ LVDS Conn

P/N	Description	Mating Height (mm)	Circuits
50453 series	0.4mm Pitch LVDS Coax. Rcpt. Conn. SMT S/R S/T Type	1.00mm	10/20/30/40

Features

- Current: 0.1A~0.8A, AC/DC (per pin)
- Mating Force: 3.57Kg Max.
- UnMating Force: 0.26Kg Min.
- Mated with: 50454
- Application: Notebook/Panel/Tablet PC



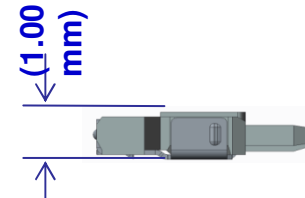
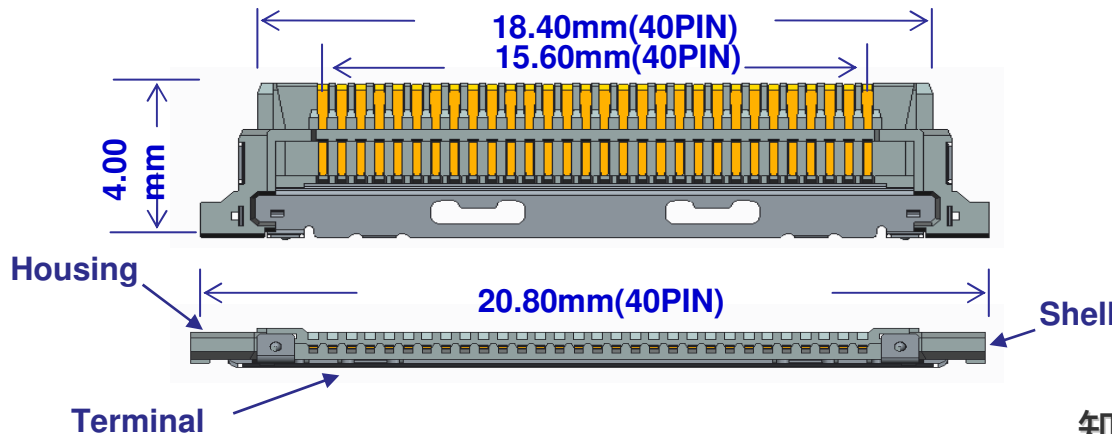
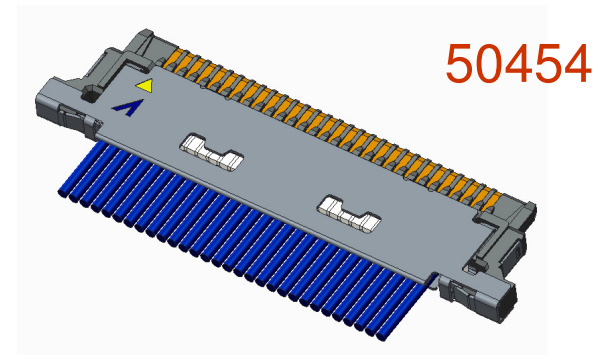


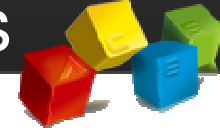
Product Release/ LVDS Conn

P/N	Description	Mating Height (mm)	Circuits
50454 series	0.4mm Pitch LVDS Coax. Plug Conn. S/R S/T Type	1.00mm	10/20/30/40

Features

- Current: 0.1A~0.8A, AC/DC (per pin)
- Mating Force: 3.57Kg Max.
- UnMating Force: 0.26Kg Min.
- Mated with: 50453
- Application: Notebook/Panel/Tablet PC





Product Release/ LVDS Conn

P/N	Description	Mating Height (mm)	Circuits
50453 series	0.4mm Pitch LVDS Coax. Rcpt. Conn. SMT S/R S/T Type	1.00mm	10/20/30/40
50454 series	0.4mm Pitch LVDS Coax. Plug Conn. S/R S/T Type	1.00mm	10/20/30/40

