

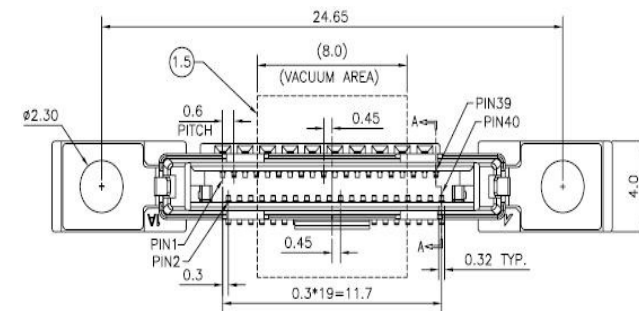
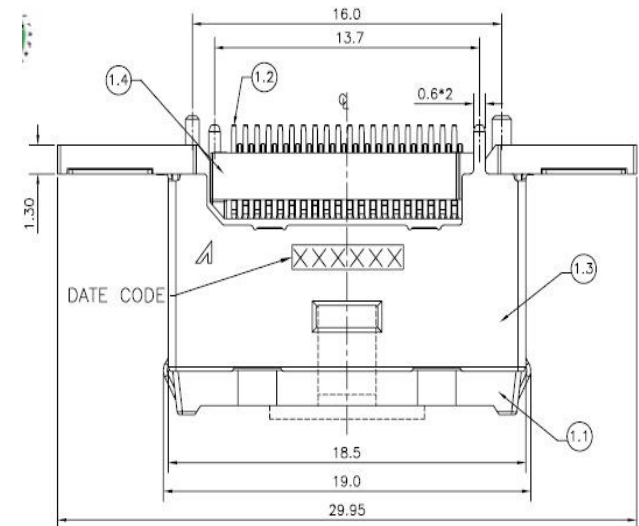
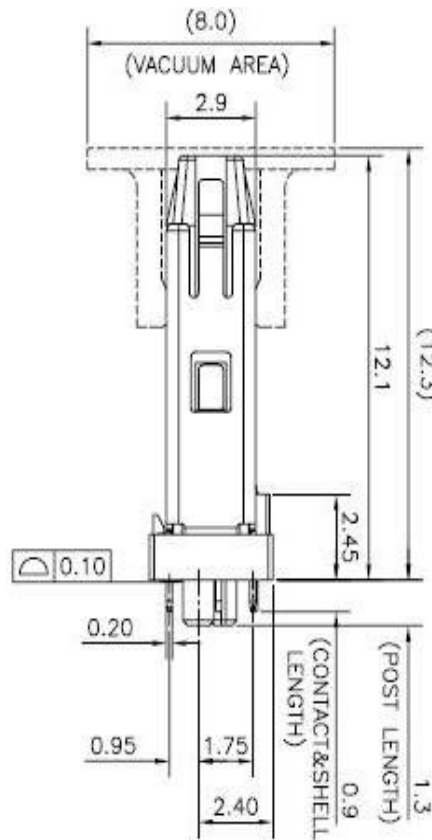
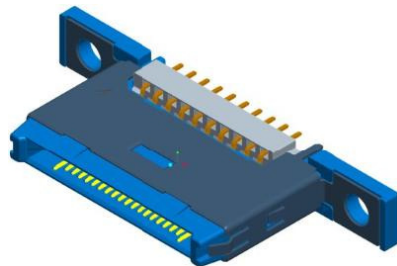
Product Release / Docking Conn

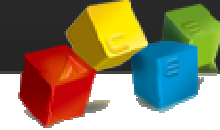
Status: M/P

P/N	Description	Product Height (mm)	Circuits
51107 series	0.6mm Pitch Docking Plug Conn., Hybrid S/T Type	12.10	40

Features

- Current: 0.5A
- Voltage: 125 Volts AC
- M/H 15.1mm
- Contact Resistance:
100mΩ Max(initial)per contact
120mΩ Max after test
- Mated with: 51108
- Application: Tablet PC /
Docking Station





Product Release / Docking Conn.

P/N	Description	Product Height (mm)	Circuits
51108 series	0.6mm Pitch Docking Rcpt. Conn., T/H R/A Type	3.60	40

Features

- Current: 0.5A
- Voltage: 125 Volts AC
- M/H 15.1mm
- Contact Resistance:
100mΩ Max(initial)per contact
120mΩ Max after test
- Mated with: 51107/51121
- Application: Tablet PC /
Docking Station

