

SCALE 2.5:1

NOTES:

1. MATERIAL:

- 1.1 HOUSING: THERMOPLASTIC, HIGH TEMP.UL94V-0; COLOR:WHITE.
- 1.2 ACTUATOR: THERMOPLASTIC, HIGH TEMP.UL94-0; COLOR:BLACK.
- 1.3 CONTACT: COPPER ALLOY
- 1.4 FITTING NAIL: COPPER ALLOY

2. FINISH:

- 2.1 CONTACT:
  - M: 50u" MIN. NICKEL PLATING OVERALL
  - 3u" MIN. PLATING GOLD ON CONTACT
  - 1u" MIN. PLATING GOLD ON SOLDER
- T: 50u" MIN. NICKEL PLATING OVERALL
- 10u" MIN. PLATING GOLD ON CONTACT
- 1u" MIN. PLATING GOLD ON SOLDER

2.2 FITTING NAIL:

- 50u" MIN. NICKEL PLATING OVERALL
- 50u" MIN. MATT TIN PLATING ON SOLDER

3. SPEC. PLS. REFER TO PS-51695-XXXXX-XXX

4. PACKAGE PLS. REFER TO 51695-XXXXX-XX-TRP

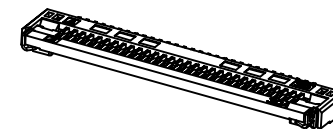
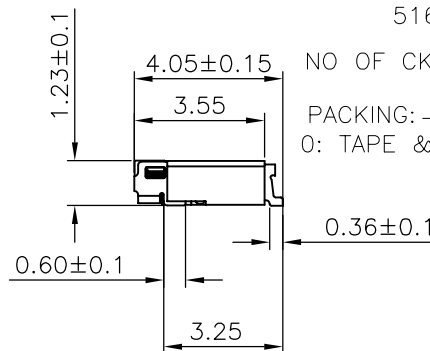
5. PART NUMBER

51695-XXX X X-XXX

001: NONE

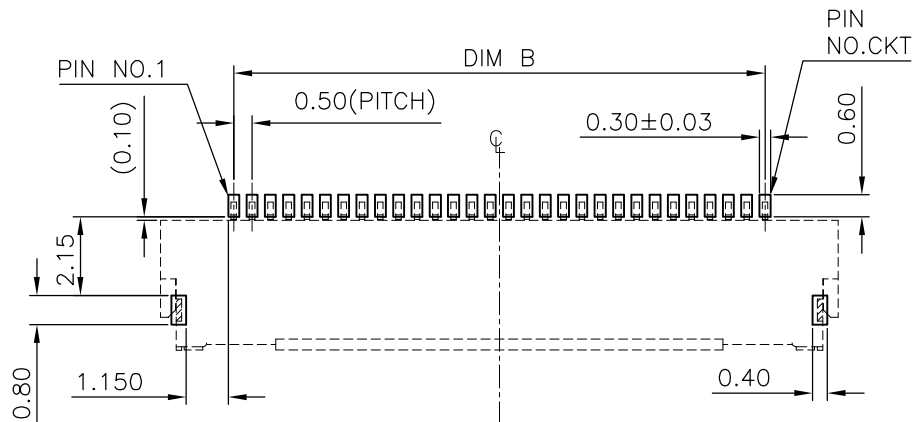
PLATING:

- M: 3u" GOLD PLATING ON CONTACT AND SOLDER FOR SELECTIVENESS PLATING
- T: 10u" GOLD PLATING ON CONTACT AND SOLDER FOR SELECTIVENESS PLATING

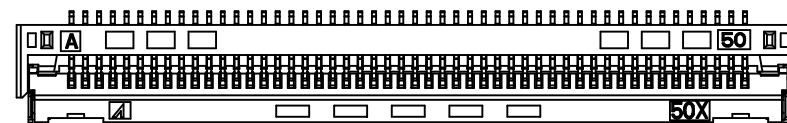


CKT	DIM A	DIM B	DIM C	DIM D	DIM E	DIM F	DIM G
14	10.50	6.50	7.57	9.50	7.50	9.10	7.70
30	18.50	14.50	15.57	17.50	15.50	17.10	15.70
40	23.50	19.50	20.57	22.50	20.50	22.10	20.70
50	28.50	24.50	25.57	27.50	25.50	27.10	25.70

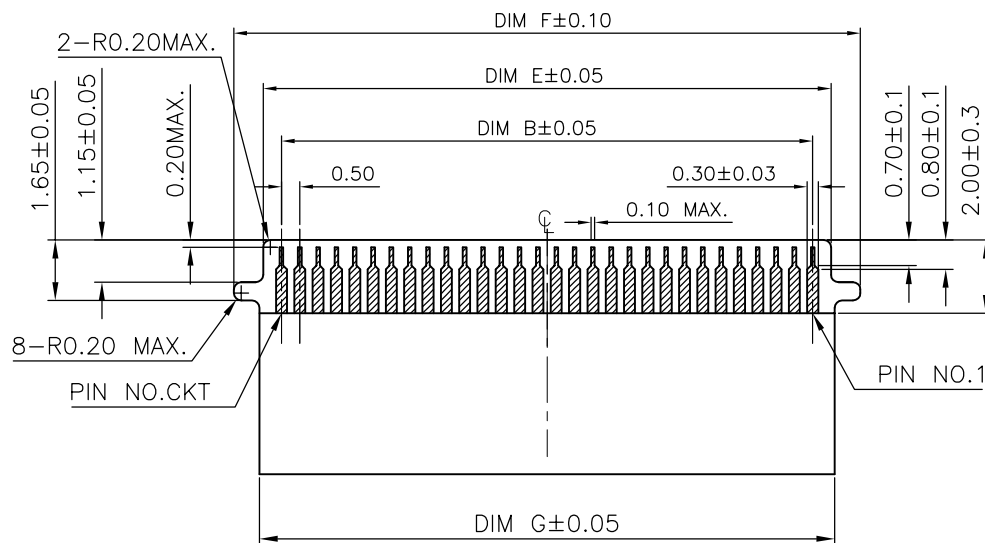
一般公差 <b>TOLERANCES</b> X. ±0.5 XX ±0.15 X ±0.25 XXX ±0.1 ANGLES ±2°		<b>宏致電子股份有限公司</b> Aces Electronics Co.,Ltd.	
檢驗尺寸標示 SYMBOLS ① ② INDICATE CLASSIFICATION DIMENSION ③ MARK IS CRITICAL DIM. ④ MARK IS MAJOR DIM.	品名 (TITLE) 0.5 MM PITCH EASY ON FPC CONN SMT R/A B/C 圖號 (DWG NO.) 51695-XXXXX-XXX	製圖 (DR) '17/08/23 Wang, Kai Hung 審核 (CHKD) Liu, Yuan Huang 核准 (APPD) Hisatomi, Kazukuni	張數 (SHEET) 1 OF 2 SIZE A4 REV A
表面處理 (FINISH)	比例 (SCALE) 5:1	單位 (UNITS) mm	



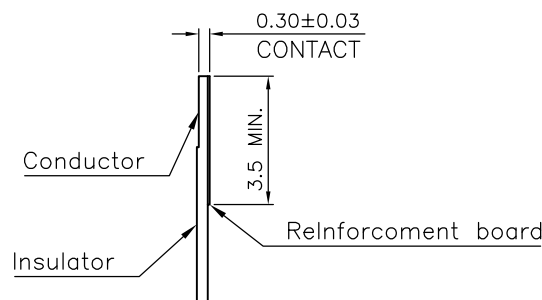
RECOMMENDED PCB LAYOUT  
 GENERAL TOLERANCE  $\pm 0.05$   
 (RECOMMENDED STENCIL THICKNESS=0.12mm)



APPEARANCE FOR 50 PIN



RECOMMENDED FPC/FFC DIMENSIONS  
 GENERAL TOLERANCE  $\pm 0.03$   
 (THICKNESS:0.3±0.03)



一般公差 <b>TOLERANCES</b> X. $\pm 0.5$ XX $\pm 0.15$ X $\pm 0.25$ XXX $\pm 0.1$ ANGLES $\pm 2^\circ$		<b>宏致電子股份有限公司</b> <b>Aces Electronics Co.,Ltd.</b>	
檢驗尺寸標示 <b>SYMBOLS</b> $\odot$ $\ominus$ INDICATE CLASSIFICATION DIMENSION <b>MARK IS CRITICAL DIM.</b> <b>MARK IS MAJOR DIM.</b>		品名 (TITLE) 0.5 MM PITCH EASY ON FPC CONN SMT R/A B/C 圖號 (DWG NO.) 51695-XXXXX-XXX	
表面處理 (FINISH)		比例 (SCALE) 5:1	單位 (UNITS) mm
製圖 (DR) '17/08/23 Wang, Kai Hung 審核 (CHKD) Liu, Yuan Huang 核准 (APPD) Hisatomi, Kazukuni		張數 (SHEET) 2 OF 2	尺寸 (SIZE) A4 版次 (REV) A